

---

## 7. Parts catalog

---

### How to use this parts catalog

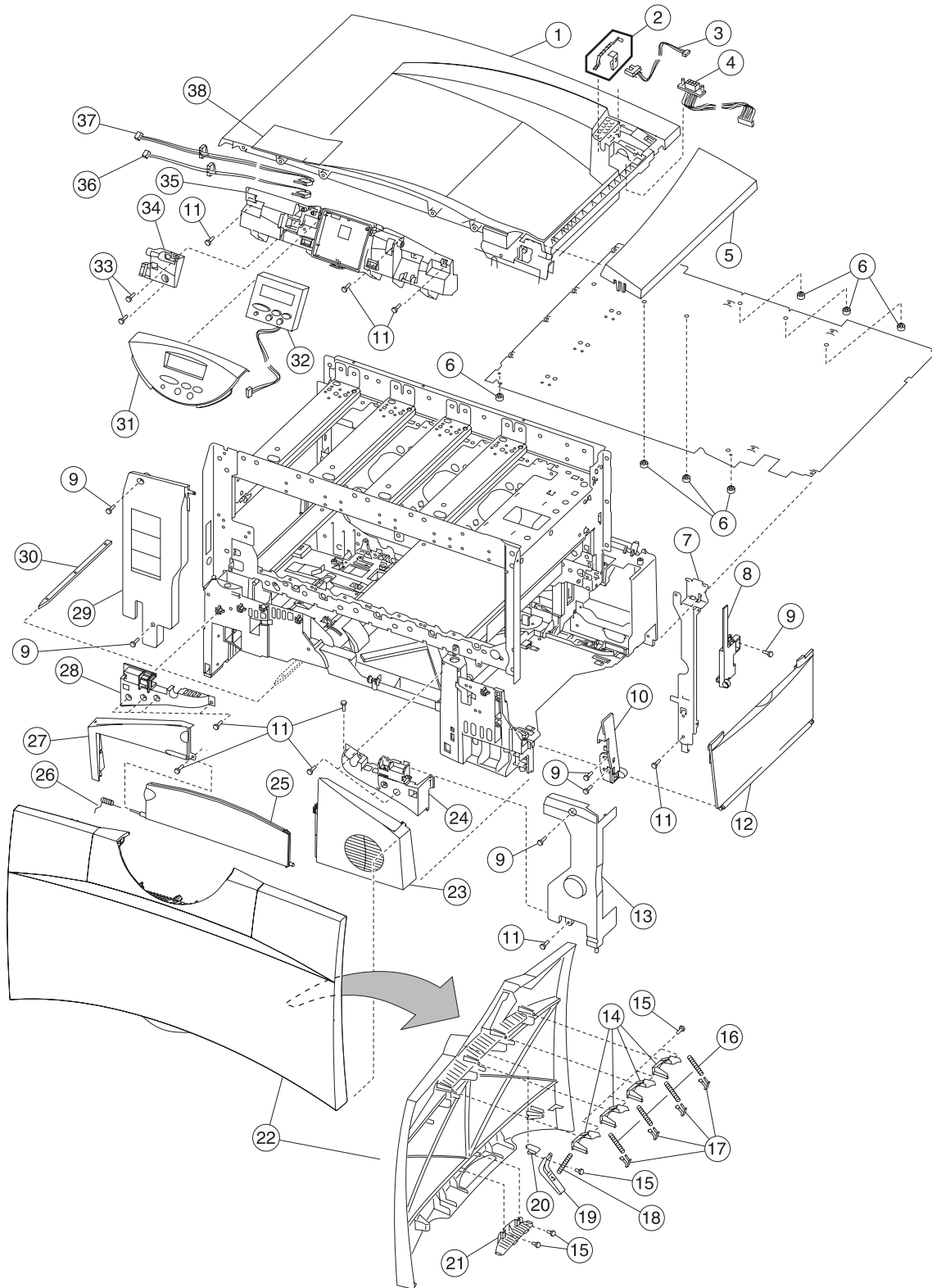
- **SIMILAR ASSEMBLIES:** If two assemblies contain a majority of identical parts, they are shown on the same list. Common parts are shown by one index number. Parts peculiar to one or the other of the assemblies are listed separately and identified by description.
- **NS:** (Not Shown) in the Asm–Index column indicates that the part is procurable but is not pictured in the illustration.
- **PP:** (Parts Packet) in the Description column indicates the part is contained in a parts packet.

The Lexmark C750 (5060-00x) laser printer is available in two models:

5060-001  
5060-002

The parts catalog uses these designations to identify model specific FRUs.

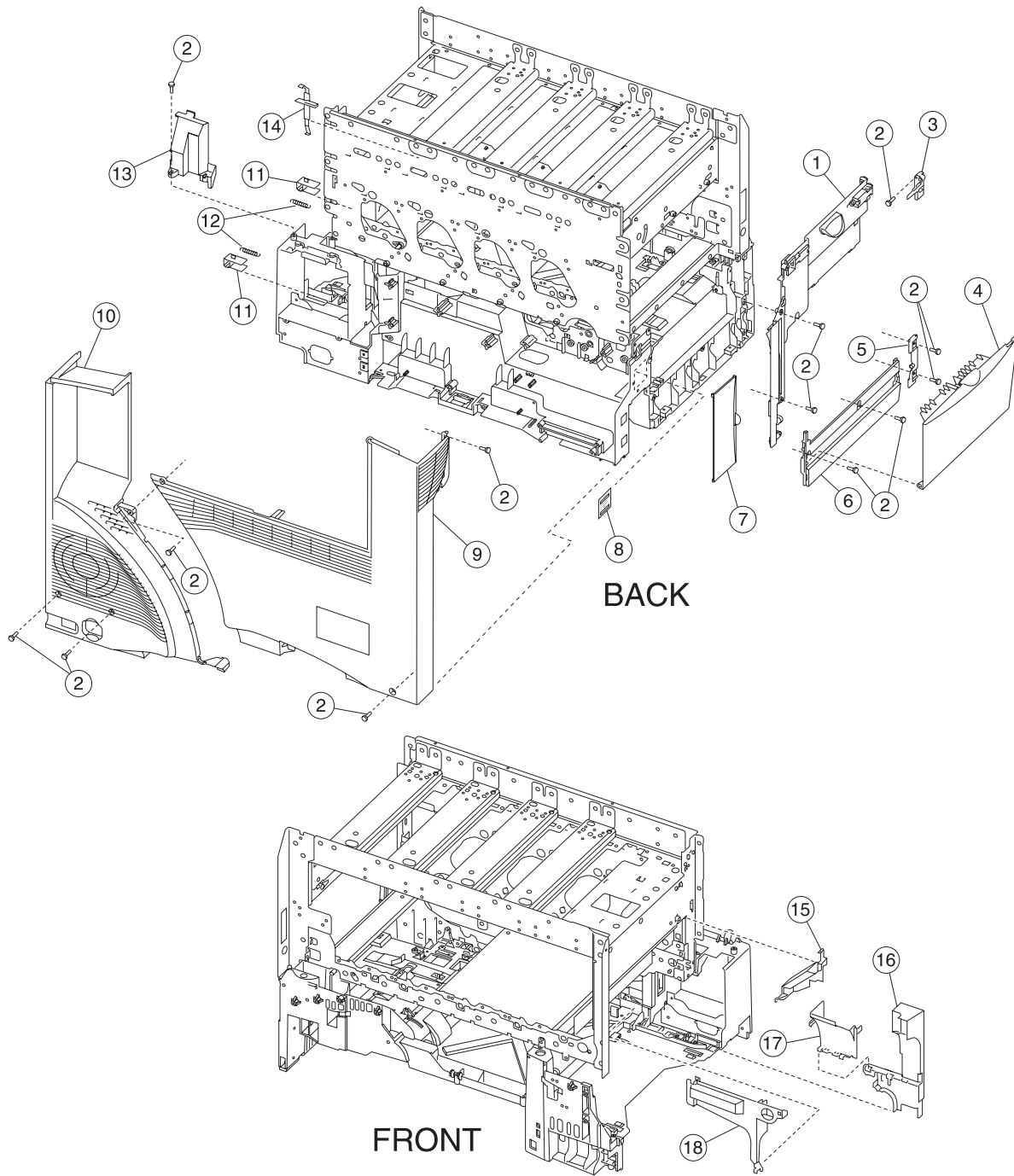
# Assembly 1: Covers



## Assembly 1: Covers

Asm- Index	Part number	Units	Description
1-1	12G6410	1	Top cover assembly
2	12G6507	1	250 output flag, includes flag retainer
3	12G6506	1	Bin full sensor
4	12G6319	1	Cable, options - stacker
5	12G6409	1	Redrive cap cover assembly
6	12G6380	7	Machine pad
7	12G6389	1	Top front support bracket
8	12G6396	6	Right rear cover
9		6	Screw, PP 12G6530
10	12G6393	1	Right front cover
11		18	Screw, PP 12G6309
12	12G6356	1	Lower right door assembly
13	12G6405	1	Front right light shield cover
14	56P2216	4	Shield, door spring
15		7	Screw, PP 56P2220
16	12G6376	4	Spring, rear hold down
17	12G6347	1	Front hold down bellcrank
18	56P2246	1	Detent spring
19	56P2218	1	Detent, front access door
20	56P2219	1	Housing, front access door
21	56P2217	1	Handle, front access door
22	12G6357	1	Front cover assembly
23	12G6394	1	Front lower right cover
24	12G6411	1	Front right handle cover assembly
25	12G6391	1	Paper path access door
26	12G6403	1	Spring, paper path access door
27	12G6388	1	Front lower left cover
28	12G6412	1	Front left handle cover assembly
29	12G6404	1	Left front light shield cover
30	56P1277	1	Paper tray guide
31	12G6402	1	Operator panel bezel with logos
32	12G6344	1	Operator panel assembly, low volt
32	12G6345	1	Operator panel assembly, high volt
33		2	Screw, PP 12G6532
34	12G6399	1	Front upper pivot cover
35	12G6397	1	Front access door support
36	12G6504	1	Cable, HVPS interlock/cover open (2-wire)
37	12G6503	1	Cable, printhead interlock/cover open (3-wire)
38	56P2489	1	Label, top paper jam

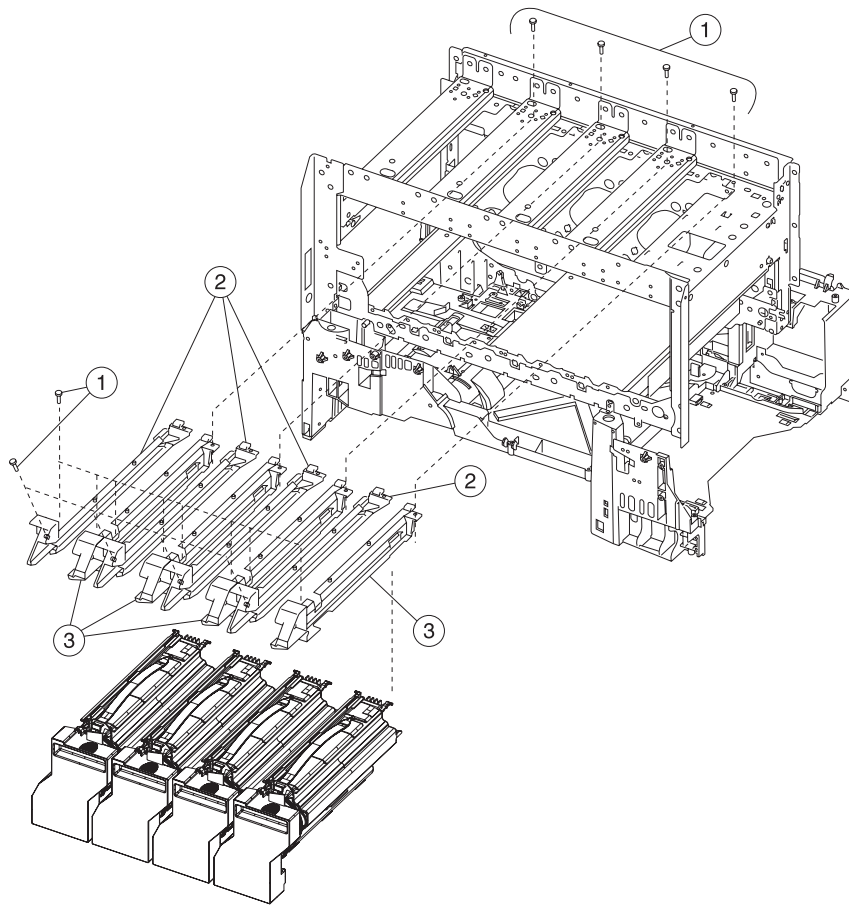
### Assembly 1.1: Covers



## Assembly 1.1: Covers

Asm- Index	Part number	Units	Description
1.1-1	12G6408	1	Left upper cover assembly
2		14	Screw, PP 12G6309
3	12G6392	1	Left upper pivot cover
4	12G6485	1	Lower access jam door assembly
5	12G6398	1	Left lower pivot cover
6	12G6395	1	Cover, left lower
7	12G6400	1	Waste container door
8	12G6339	1	Blank, TLI/SN label
9	12G6390	1	Rear cover
10	12G6401	1	Rear fan cover
11	12G6383	2	Fuser latch slide
12	12G6384	2	Fuser latch slide spring
13	12G6340	1	Fuser top duct
14	12G6386	1	Duplex actuator arm
15	12G6360	1	Fuser wall duct
16	12G6358	1	Fuser bottom duct
17	56P2290	1	Fuser left duct
18	56P2291	1	Redrive belt cover duct
NS	12G6510	6	Cable tie (6 in pack)

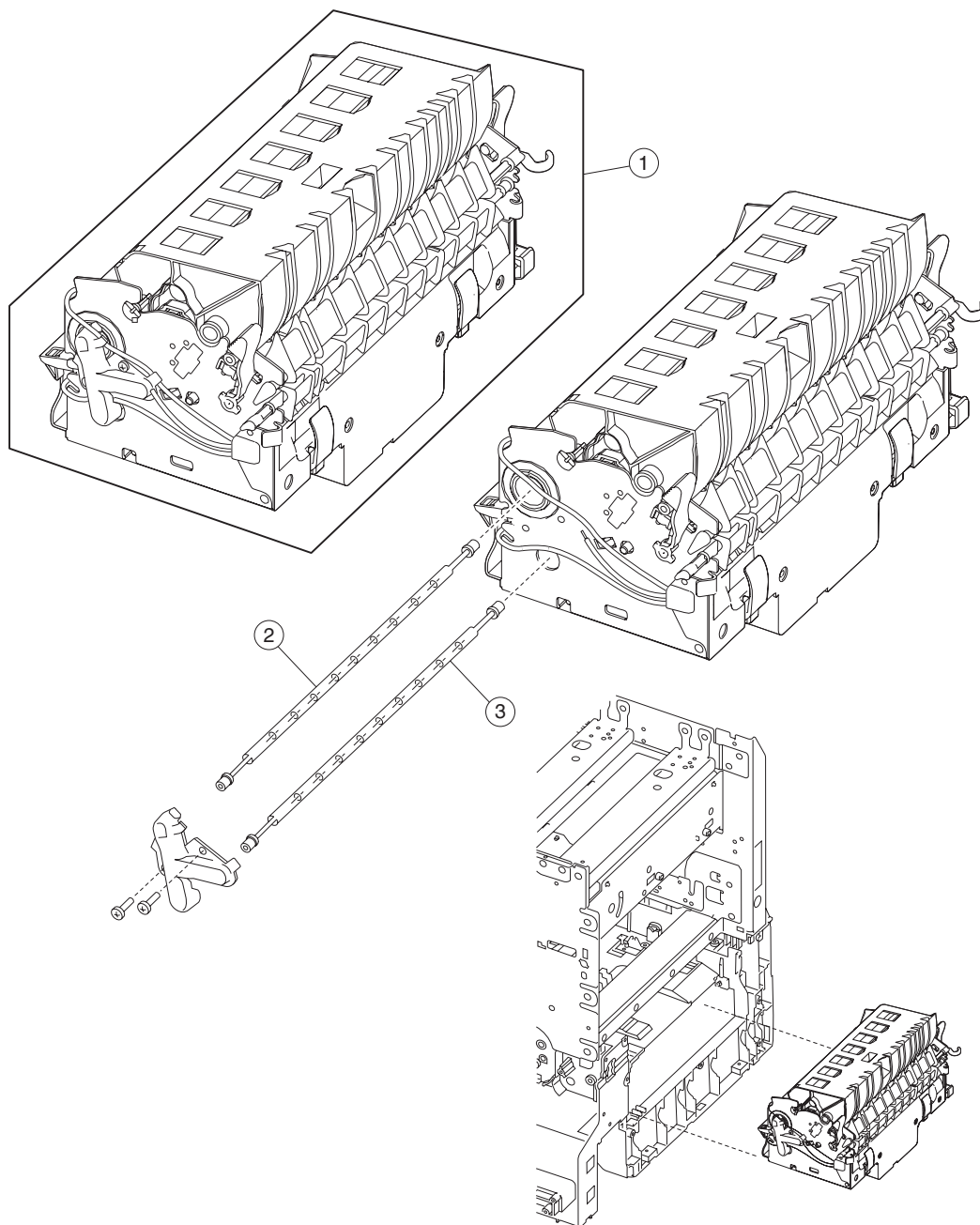
## Assembly 2: Cartridge mounting



**Assembly 2: Cartridge mounting**

<b>Asm- Index</b>	<b>Part number</b>	<b>Units</b>	<b>Description</b>
2-1		16	Screw, PP 12G6532
2	12G6535	4	Guide assembly, left side
3	12G6536	4	Guide assembly, right side

### Assembly 3: Fuser

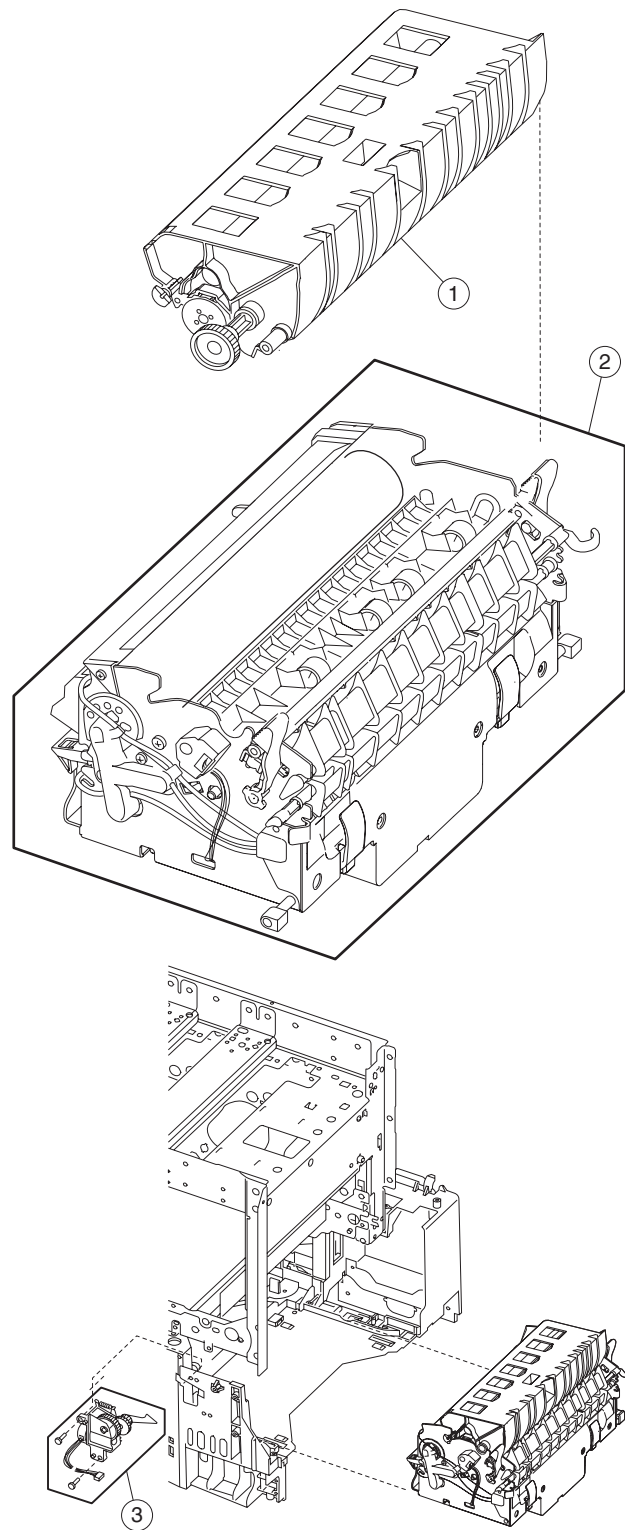




**Assembly 3: Fuser**

<b>Asm- Index</b>	<b>Part Number</b>	<b>Units</b>	<b>Description</b>
3-1	12G6495	1	Fuser assembly 100V 500W
1	12G6301	1	Fuser assembly 115V 500W
1	12G6302	1	Fuser assembly 220V 500W
2	12G6516	1	Fuser lamp, 100V 500W hot roll
2	12G6337	1	Fuser lamp, 115V 500W hot roll
2	12G6341	1	Fuser lamp, 220V 500W hot roll
3	12G6517		Fuser lamp, 100V 400W backup roll
3	12G6338	1	Fuser lamp, 115V 400W backup roll
3	12G6342	1	Fuser lamp, 220V 400W backup roll

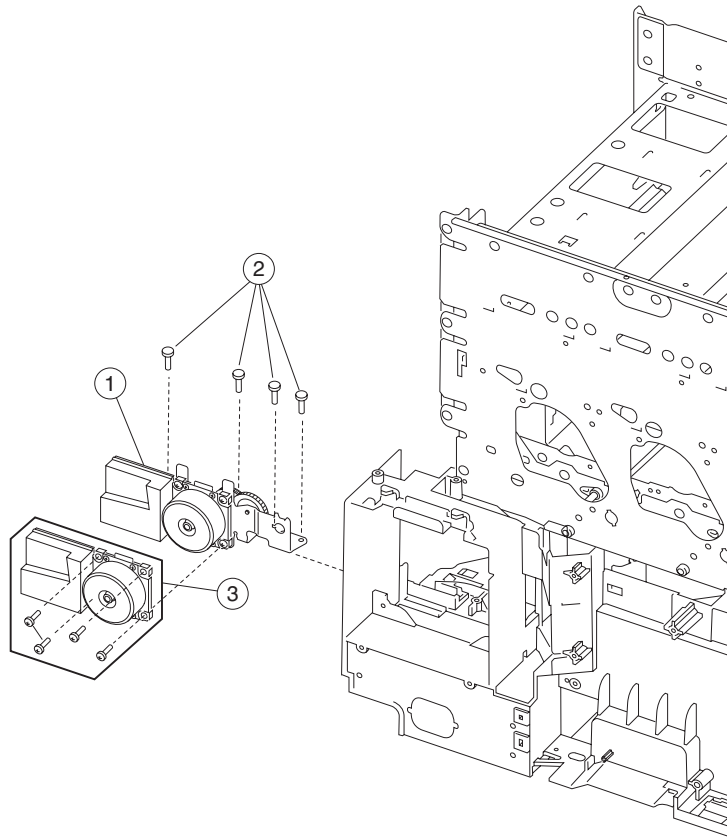
### Assembly 3.1: Fuser (web oiler)



**Assembly 3.1: Fuser**

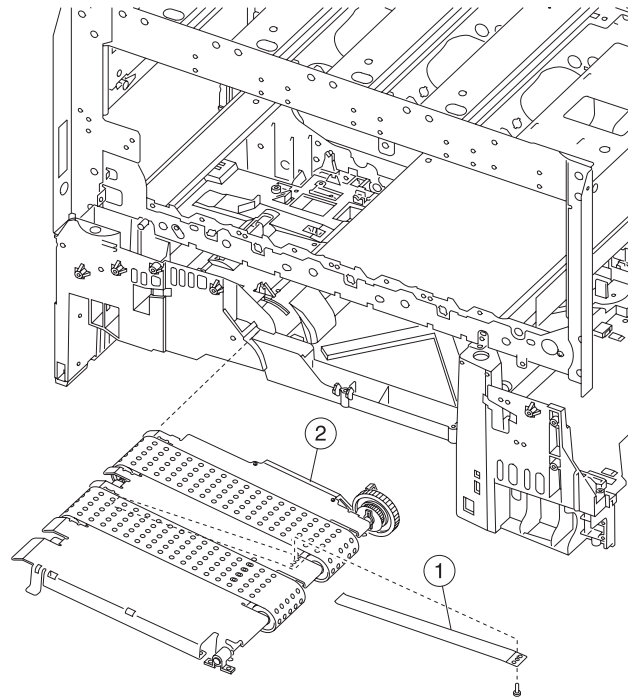
<b>Asm- Index</b>	<b>Part Number</b>	<b>Units</b>	<b>Description</b>
3.1-1	12G6545	1	Web oiler assembly
2	12G6495	1	Fuser assembly, web oiler 100V 500W
2	12G6514	1	Fuser assembly, web oiler 115V 500W
2	12G6515	1	Fuser assembly, web oiler 220V 500W
3	12G6543	1	Web oiler index drive assembly

## Assembly 4: Fuser drive



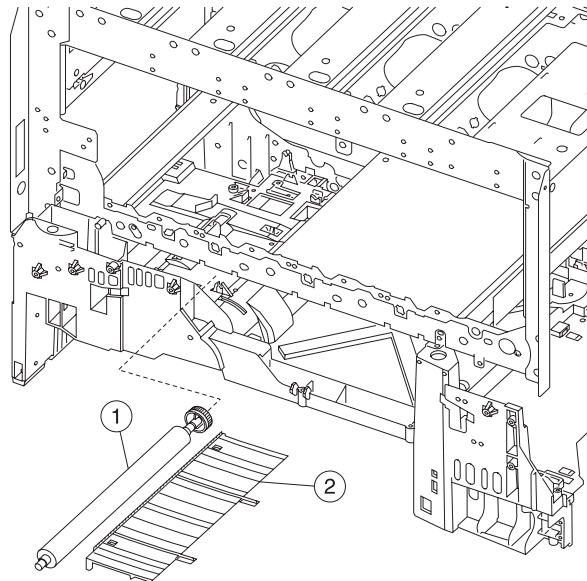
Asm-Index	Part Number	Units	Description
4-1	56P1213	1	Fuser drive assembly w/motor
2		4	Screws PP 12G6309
3	56P1238	1	Fuser drive motor
		4	Screws, motor mounting

## Assembly 5: Vacuum transport belt assembly



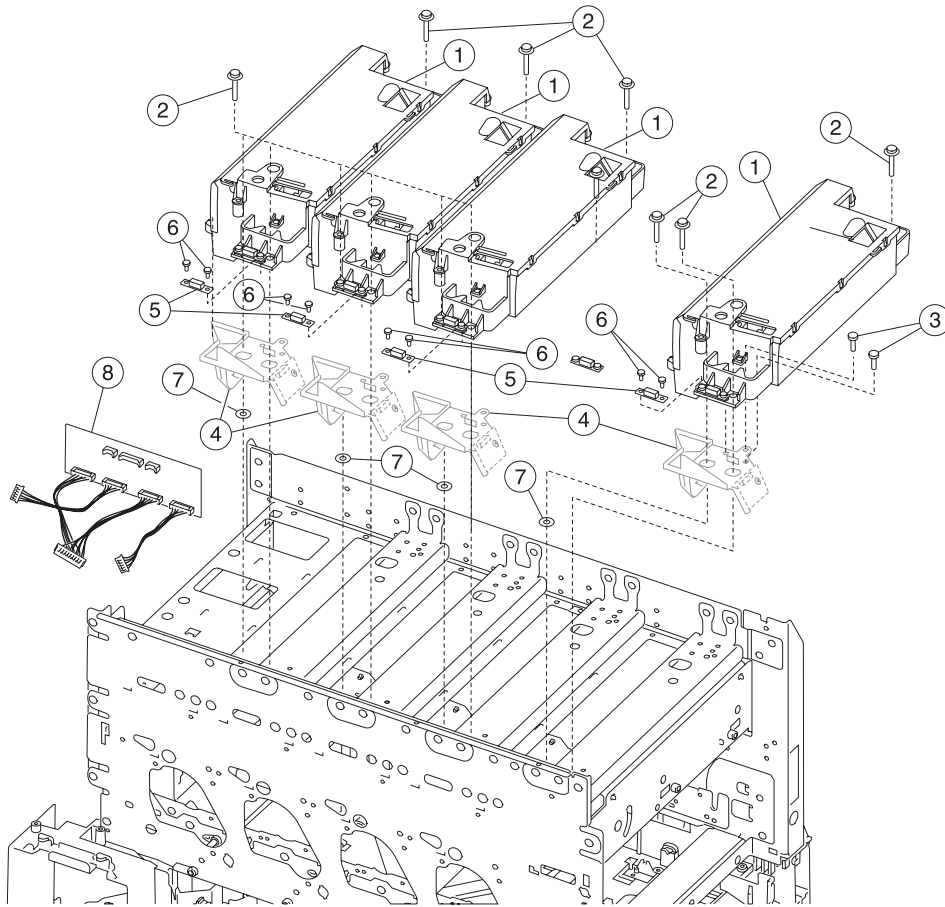
Asm-Index	Part Number	Units	Description
5-1	12G6491	1	Jam access spring
2	12G6489	1	Vacuum transport belt assembly

## Assembly 6: Transfer



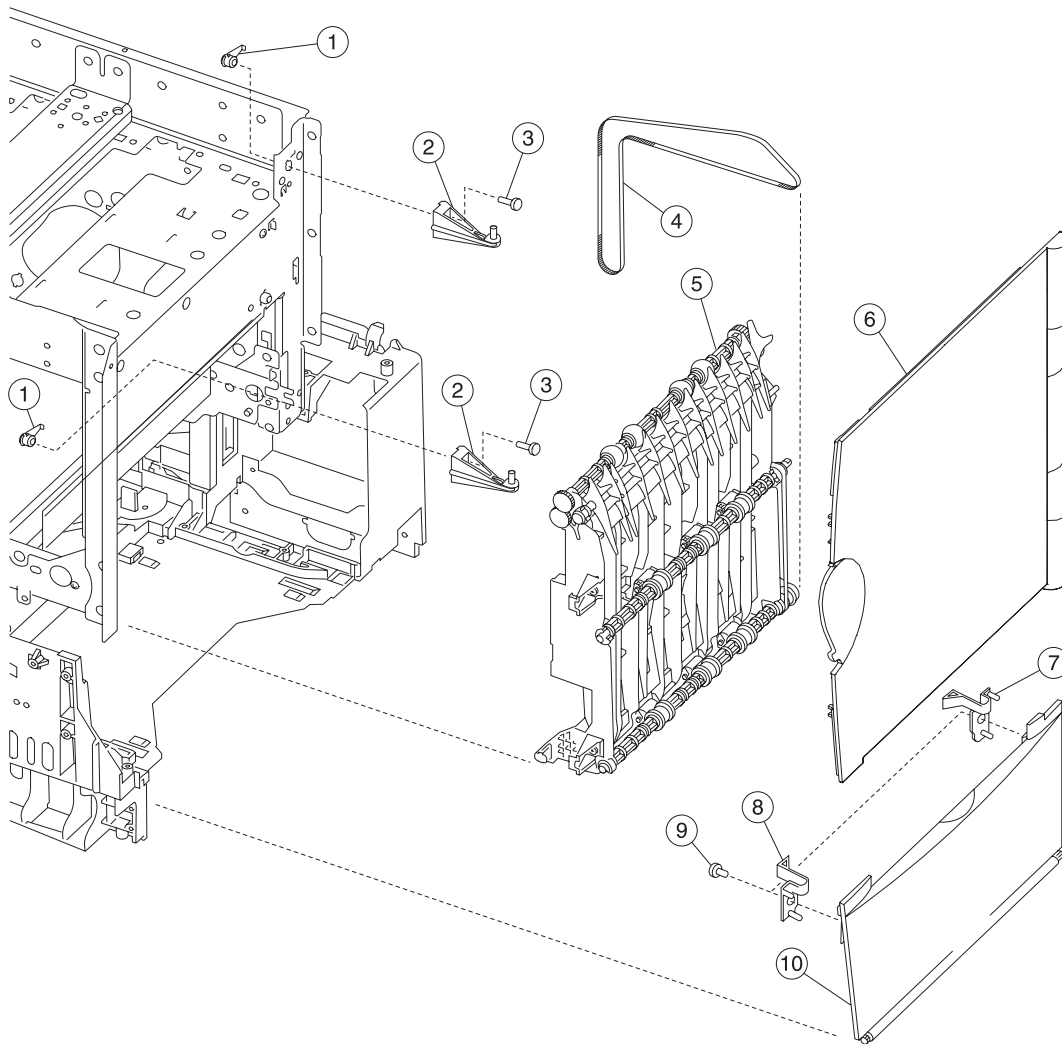
Asm-Index	Part Number	Units	Description
6-1	12G6303	1	Second transfer roll
2	12G6488	1	Transfer plate assembly

## Assembly 7: Printheads



Asm-Index	Part Number	Units	Description
7-1	12G6322	4	Printhead assembly (Do not replace more than one printhead at a time.)
2		12	Screw, PP 12G6534
3		12	Screw, PP 12G6539
4		4	PSD assembly (order 7-5, thermistor card, when replacing this assembly)
5	56P1198	4	Thermistor card
6		8	Screw, PP 12G6533
7	56P2292	4	Printhead spacer
8	56P2296	1	Card assembly, printhead diagnostic aid

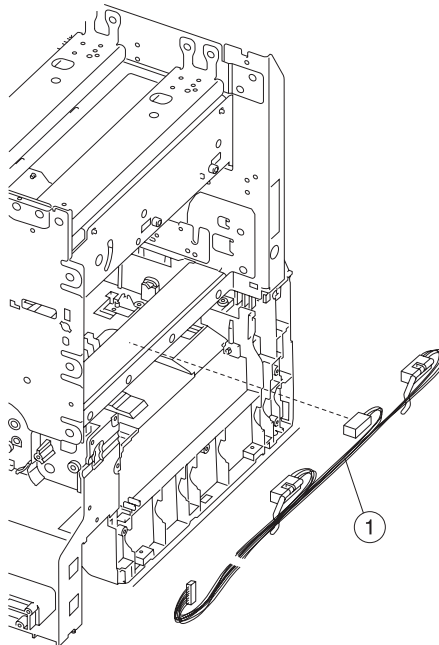
### Assembly 8: Paper feed output (redrive)



Asm-Index	Part number	Units	Description
8-1	56P0167	8	Anchor, bracket mounting
2	12G6493	2	Upper door hinge
3		2	Screw, PP 12G6533
4	56P2204	1	Redrive belt 300 T
5	12G6492	1	Redrive assembly
6	12G6355	1	Redrive door
7	12G6513	1	Lower rear door latch
8	12G6512	1	Lower front door latch
9		2	Screw, PP 12G6530
10	12G6356	1	Door assembly, lower right

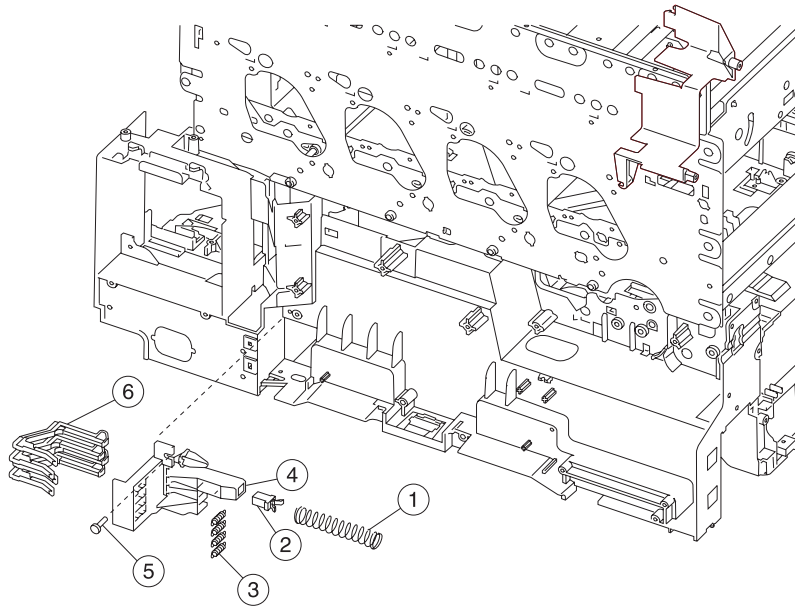


## Assembly 9: Paper feed input



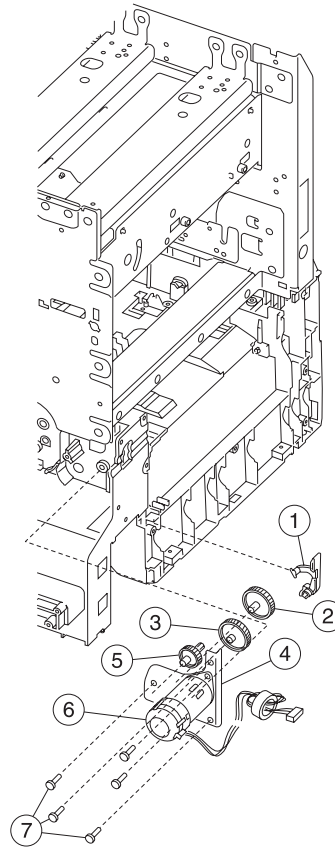
Asm-Index	Part number	Units	Description
9-1	12G6486	1	S2/transparency/narrow media sensor assembly

### Assembly 10: Paper size sensing



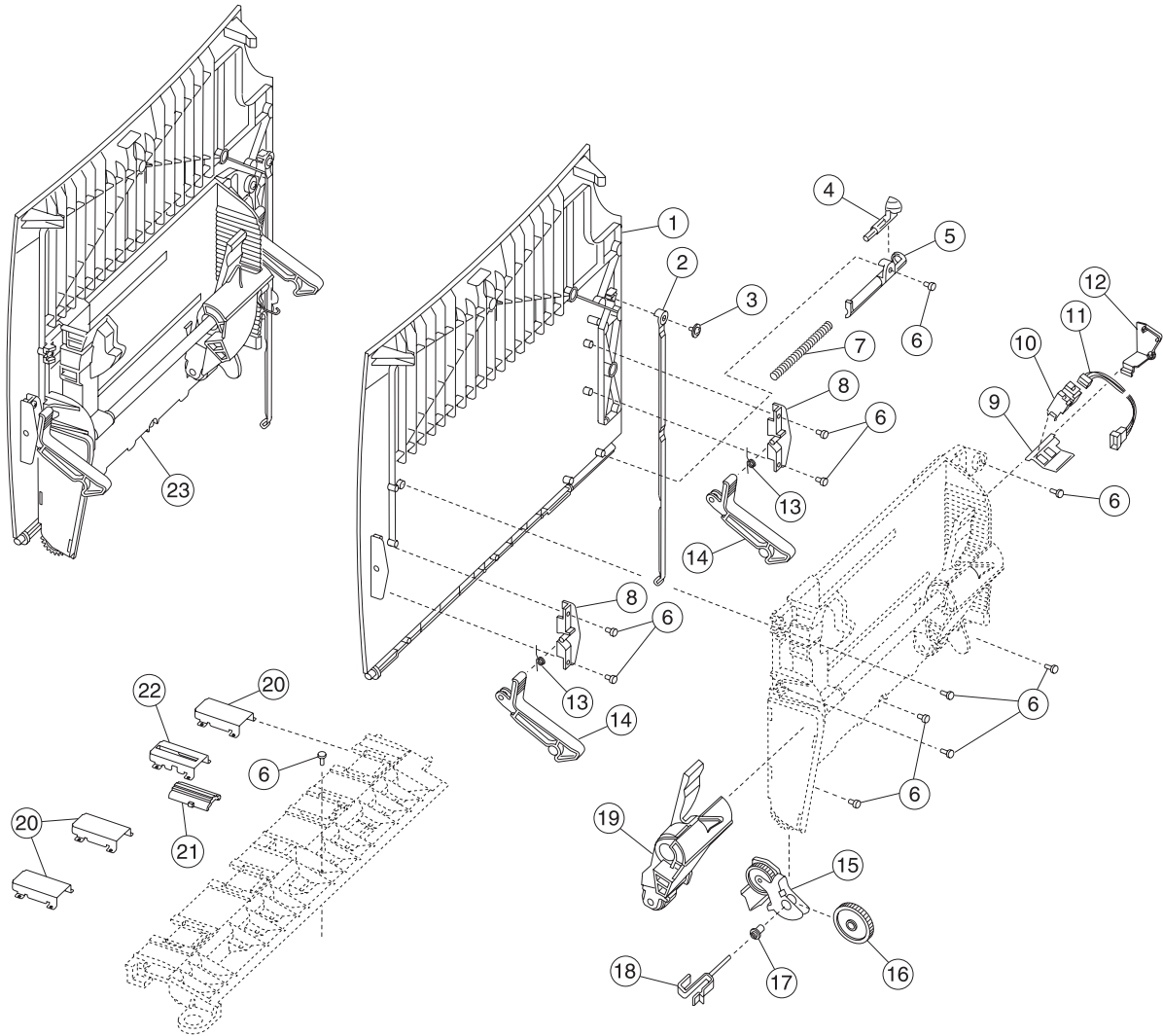
Asm-Index	Part Number	Units	Description
10-1	12G6470	1	Waste container latch spring
2	12G6469	1	Waste container latch
3	12G6467	4	Paper size sensing spring
4	12G6468	1	Paper size sensing bracket
5		1	Screw, paper size sensing assembly mounting PP 12G6531
6	12G6466	4	Paper size sensing link

## Assembly 11: Paper feed transport



Asm-Index	Part Number	Units	Description
11-1	56P2199	1	Nip relief handle
2	12G6483	1	Gear, staging idler
3	12G6482	1	Gear, staging reduction #1
4	12G6481	1	Registration plate assembly
5	12G6484	1	Gear, reference plate drive
6	12G6480	1	Registration motor
7		3	Registration motor assembly screw, PP 12G6309

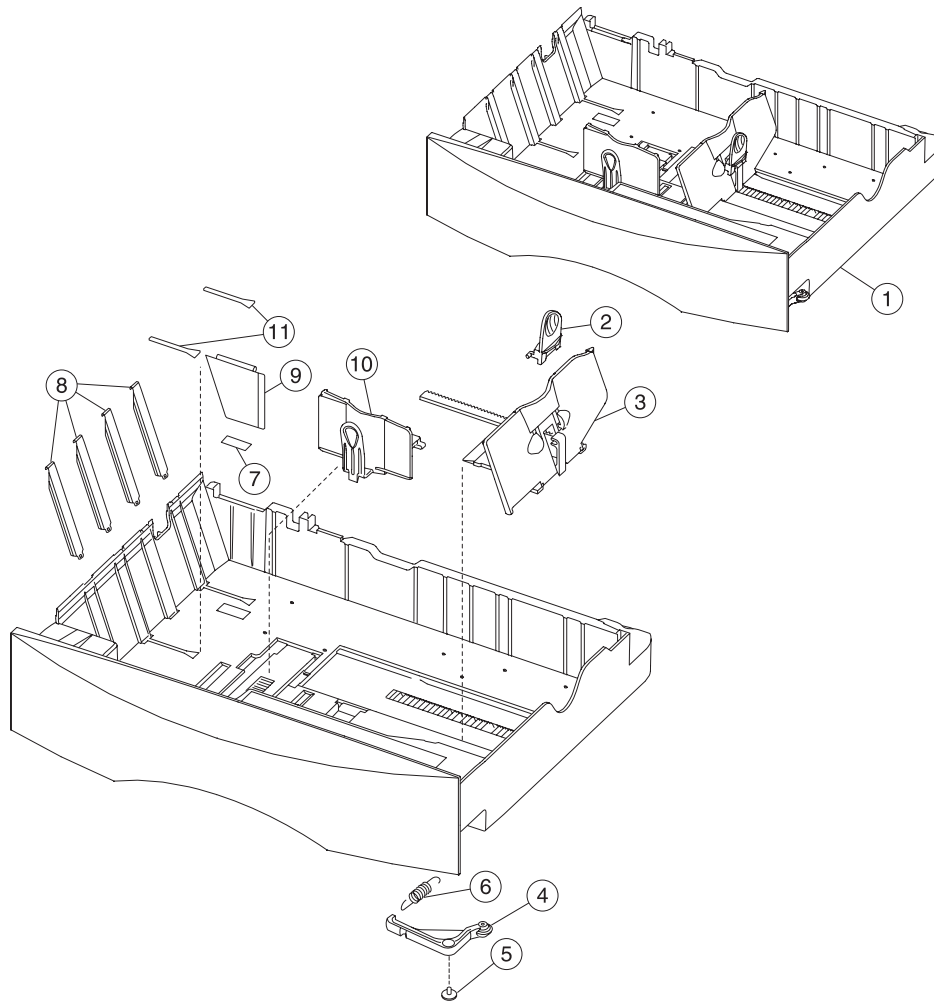
# Assembly 12: Multipurpose feeder (MPF)



## Assembly 12: Multipurpose Feeder (MPF)

Asm- Index	Part number	Units	Description
12-1	12G6452	1	MP feeder door cover
2	12G6460	1	Door hinge restraint
3		1	Screw, PP 12G6533
4	12G6453	1	Frame bias latch
5	12G6455	1	Frame bias latch cover
6		11	Screw, PP 12G6533
7	12G6454	1	Frame bias spring
8	12G6457	2	MPF support bracket cover
9	12G6456	1	Sensor mount bracket
10	12G6461	1	Paper out/low sensor
11	12G6448	1	MPF cable
12	12G6449	1	MPF cable cover
13	12G6458	2	MPF support bracket spring
14	12G6459	2	MPF support bracket
15	12G6462	1	MPF bracket assembly
16	12G6463	1	MPF drive gear
17	12G6465	1	MPF drive gear bushing
18	12G6464	1	MPF drive gear shaft
19	12G6451	1	MPF autocompensator pick assembly
20	12G6354	3	Rib housing
21	12G6447	1	Friction buckler
22	12G6346	1	Buckler housing
23	12G6450	1	MPF door assembly

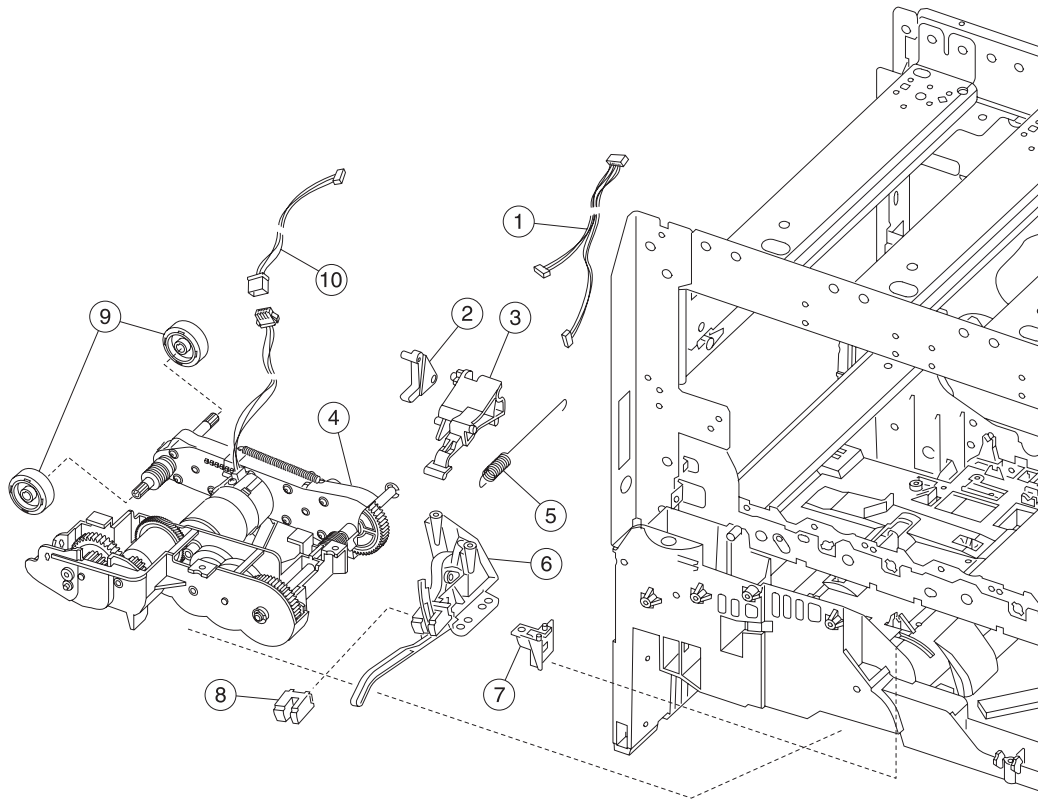
### Assembly 13: 500-sheet integrated tray



## Assembly 13: 500-sheet integrated tray

Asm- Index	Part number	Units	Description
13-1	12G6416	1	500-Sheet tray assembly
2	12G6419	1	Back restraint latch
3	12G6418	1	Back restraint
4	12G6425	1	Tray bias bellcrank assembly
5		1	Screw, PP 12G6533
6	12G6426	1	Tray bias spring
7	12G6568	1	Reflector label
8	12G6421	4	Wear strip
9	12G6420	1	Tray wear clip
10	12G6417	1	Side restraint
11	56P1504	2	Active restraint pad

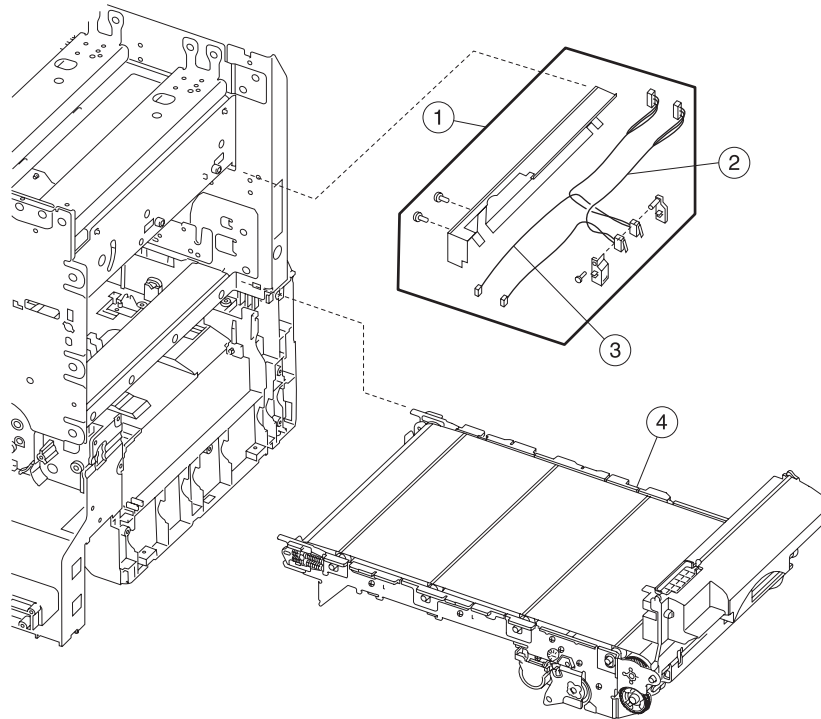
## Assembly 14: Autocompensator assembly



Asm-Index	Part Number	Units	Description
14-1	56P0551	1	Cable, paper media low/out
2	12G6471	1	Tray interlock bellcrank
3	12G6558	1	Pick arm lift bellcrank
4	12G6427	1	Pick assembly 500-tray
5	12G6557	1	Bellcrank lift spring
6	12G6476	1	Paper level sensing assembly
7	12G6472	1	Tray interlock bracket
8	12G6461	1	Sensor, paper out/low
9	99A0070	2	Pick rolls (2 each per package)
10	56P0552	1	Cable, pick motor extension
NS	56P1237	1	Autocomp shaft assembly

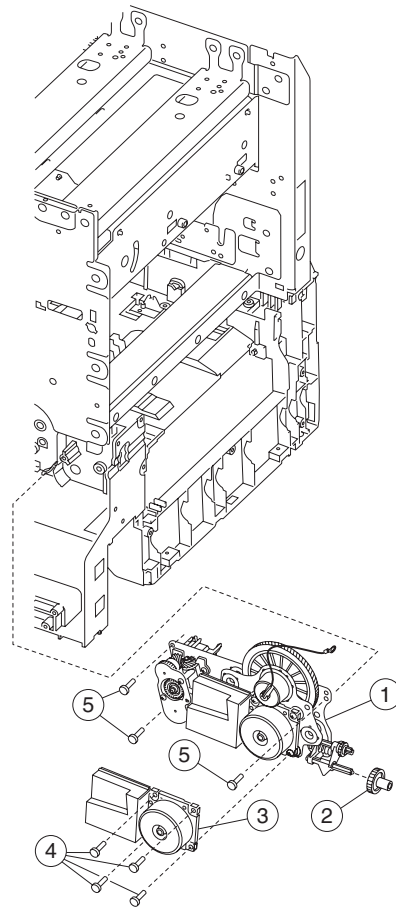


## Assembly 15: ITU assembly



Asm-Index	Part Number	Units	Description
15-1	12G6413	1	ITU light shield assembly
2	12G6503	1	Cable, printhead interlock/cover open (3-wire)
3	12G6504	1	Cable, HVPS interlock/cover open (2-wire)
4	56P1295	1	ITU assembly

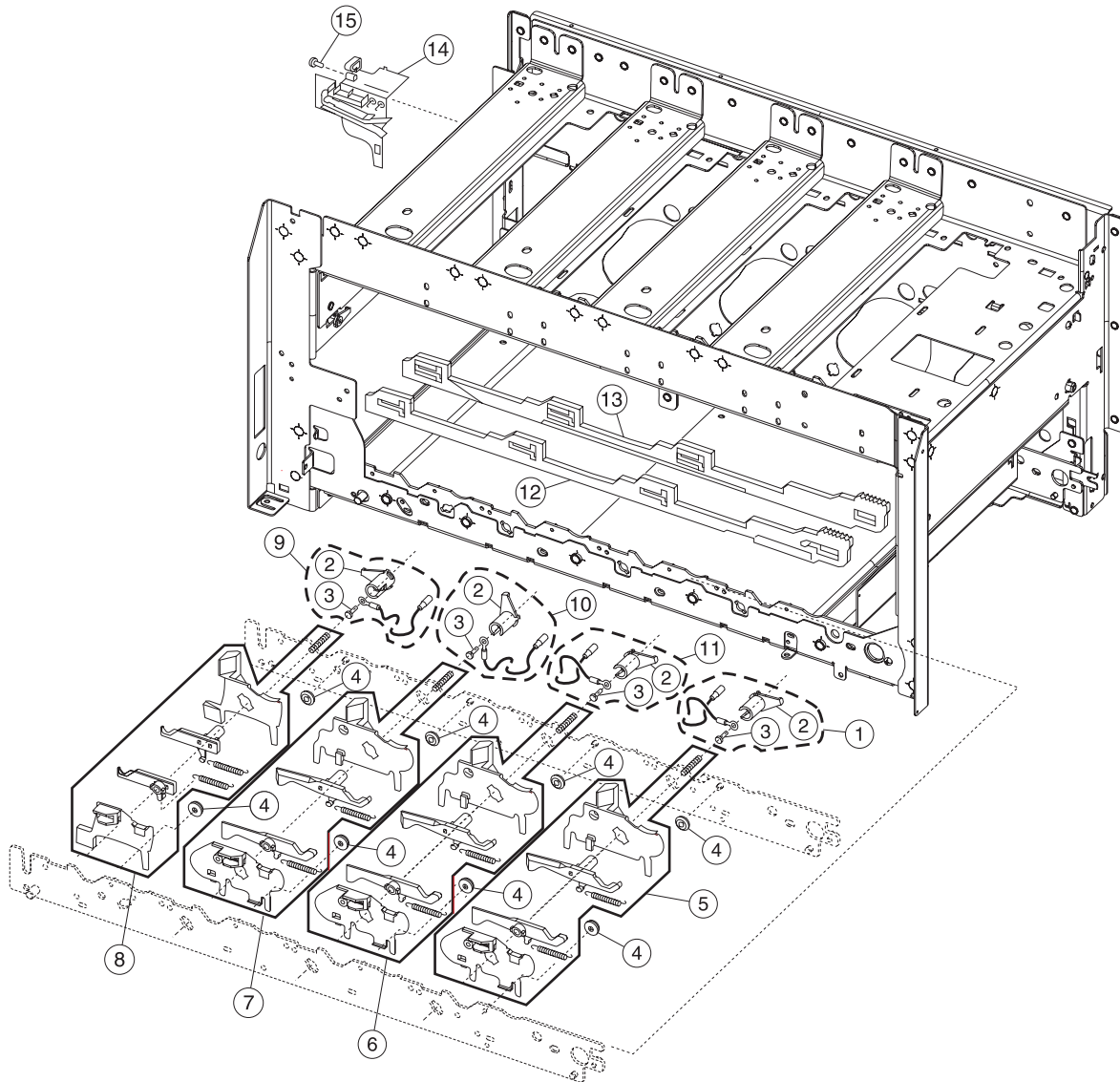
## Assembly 16: ITU drive assembly



**Assembly 16: ITU drive assembly**

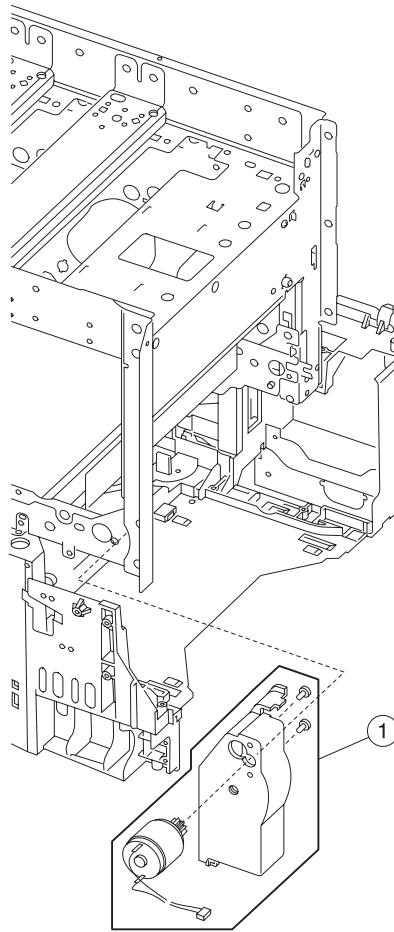
<b>Asm-index</b>	<b>Part number</b>	<b>Units</b>	<b>Description</b>
16-1	56P1216	1	ITU motor drive assembly with SKC motor
2	12G6385	1	#58 Gear
3	56P0568	1	ITU drive motor, SKC
4		4	Screw, PP 12G6309 (ITU drive motor to ITU drive assembly)
5		4	Screw, PP 12G6309 (ITU drive assembly lower frame)

### Assembly 17: ITU loading



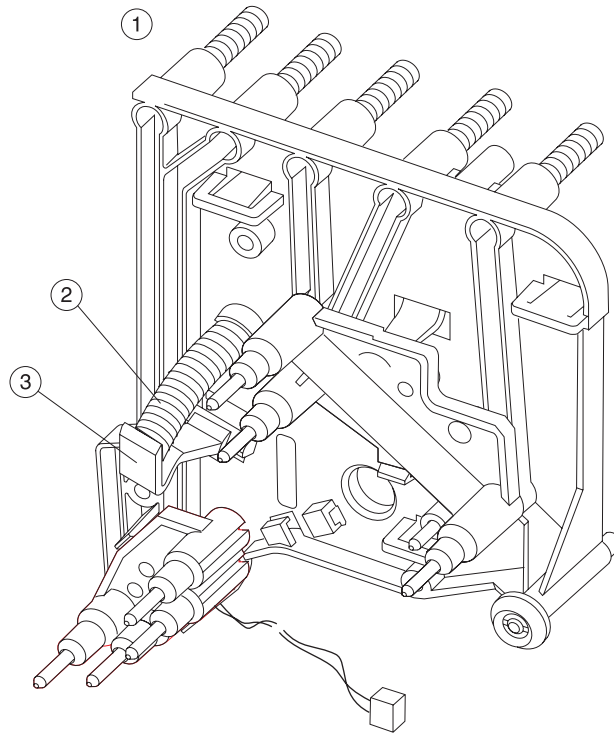
## Assembly 17: ITU loading

Asm- Index	Part number	Units	Description
17-1	12G6546	1	Yellow terminal contact assembly
2	12G6442	4	Terminal, contact spring
3		4	Screw PP 12G6533
4	12G6353	8	Cartridge support roller
5	56P1495	1	Parts packet, ITU loading - yellow, including - Yellow BOR spring - Rear block guide - Rear transfer bellcrank - Front V block guide - Front transfer bellcrank - High voltage contact spring
6	56P1496	1	Parts packet, ITU loading - cyan, including - Cyan BOR spring - Rear V block guide - Rear transfer bellcrank - Front V block guide - Front transfer bellcrank - High voltage contact spring
7	56P1497	1	Parts packet, ITU loading - magenta, including - Magenta BOR spring - Rear V block guide - Rear transfer bellcrank - Front V block guide - Front transfer bellcrank - High voltage contact spring
8	56P1498	1	Parts packet, ITU loading - black, including - Black BOR spring - Rear block guide - Rear transfer bellcrank - Front V block guide - Front transfer bellcrank - High voltage contact spring
9	12G6439	1	Black terminal contact assembly
10	12G6440	1	Magenta terminal contact assembly
11	12G6441	1	Cyan terminal contact assembly
12	56P0594	1	Cam, BOR front
13	56P0595	1	Cam, BOR rear
14	56P0560	1	Rear ITU guide
15		1	Screw, PP 12G6309

**Assembly 18: BOR drive assembly**

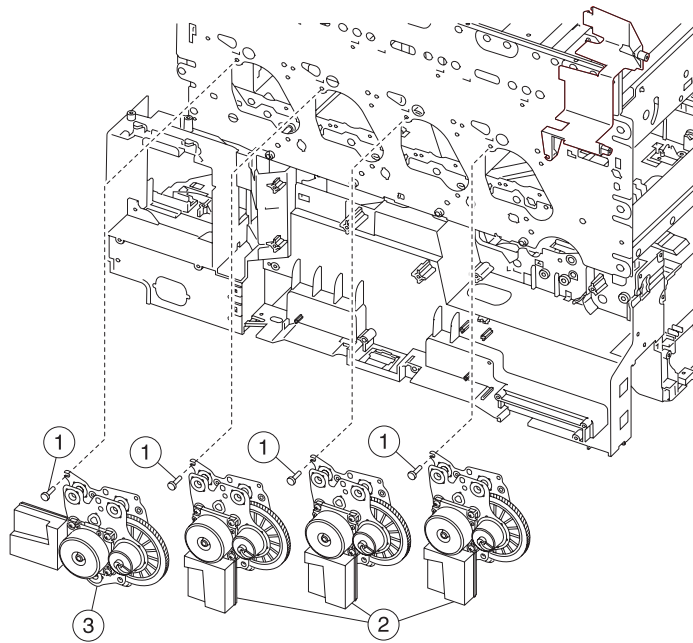
Asm-Index	Part number	Units	Description
18-1	12G6446	1	BOR housing assembly with motor

## Assembly 19: Cartridge contact assembly



Asm-Index	Part number	Units	Description
19-1	56P0310	4	Cartridge contact assembly, complete
2	12G6377	1	Rear hold down bellcrank
3	12G6376	1	Rear hold down spring

## Assembly 20: Cartridge drive assembly

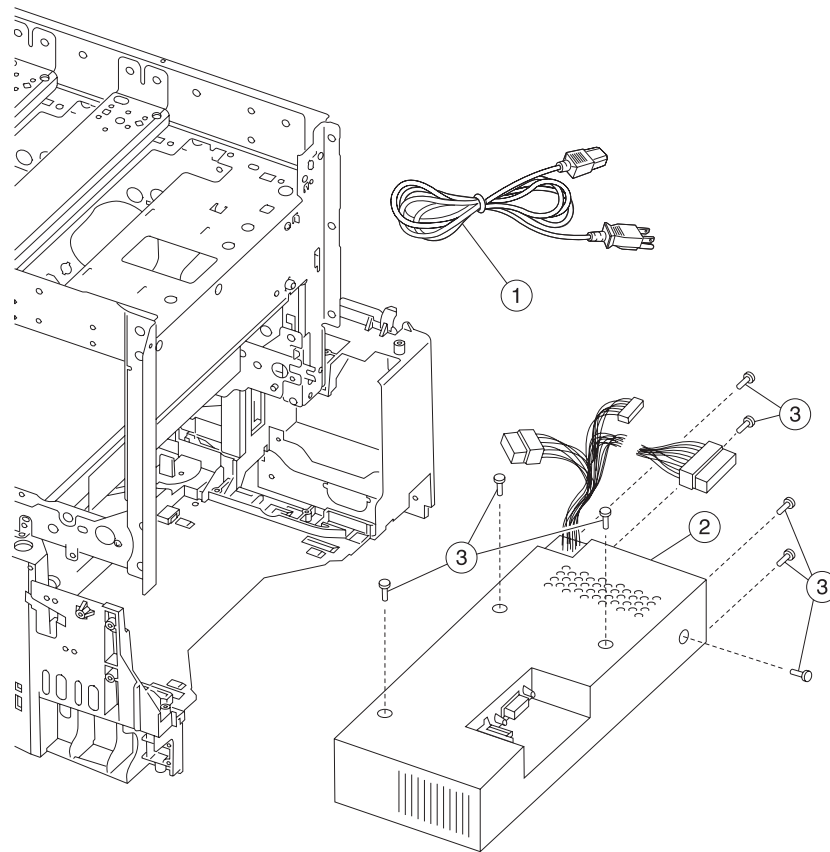




**Assembly 20: Cartridge drive assembly**

<b>Asm- Index</b>	<b>Part Number</b>	<b>Units</b>	<b>Description</b>
20-1		4	Screw, PP 12G6530
2	56P1214	3	Cartridge drive assembly, cyan/magenta/black
3	56P1215	1	Cartridge drive assembly, yellow

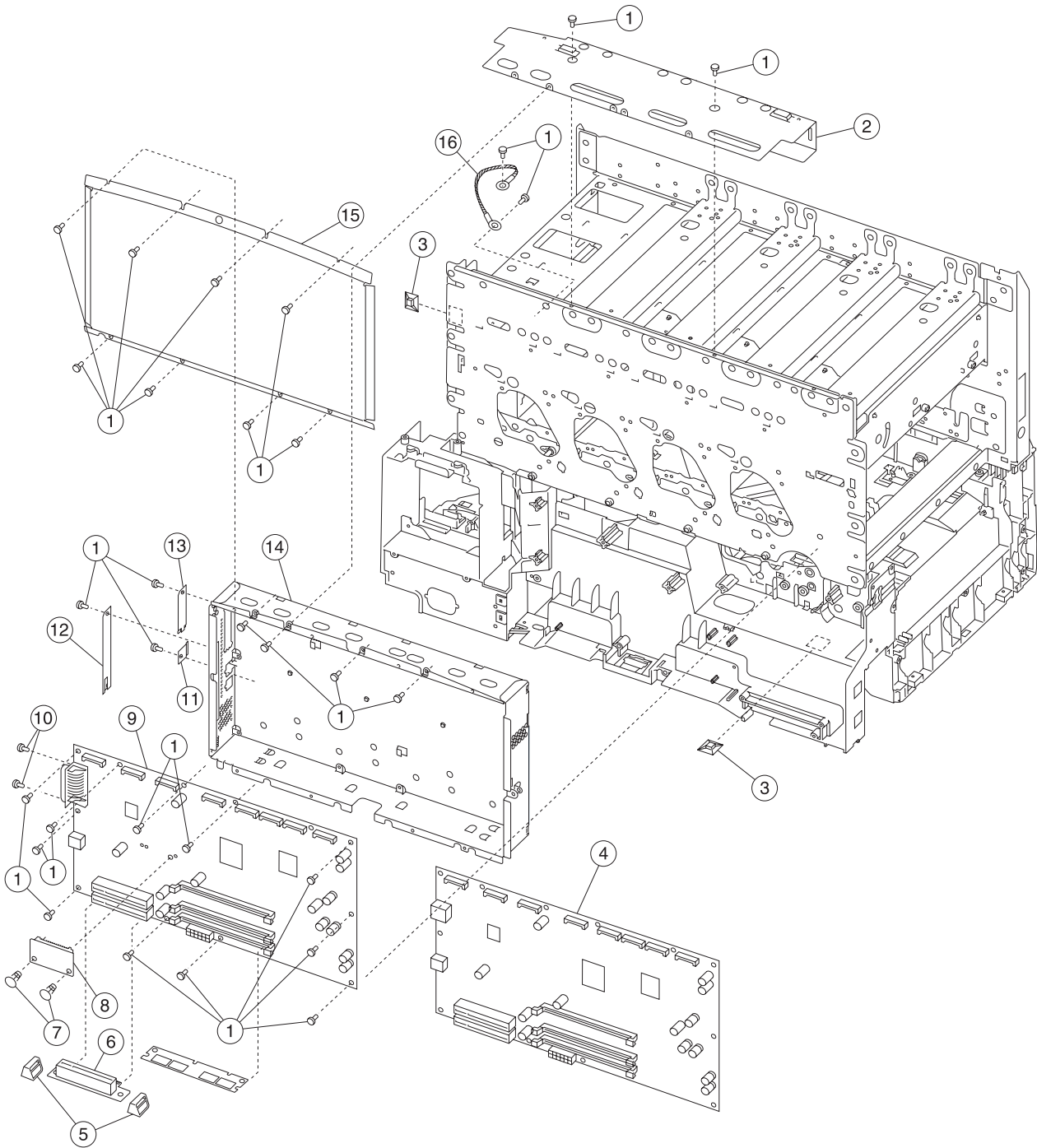
## Assembly 21: Electronics



## Assembly 21: Electronics

Asm-Index	Part number	Units	Description
21-1	11A9095	1	Power cord set U.S., Canada (LV), Brazil (LV), Colombia (LV), Costa Rica (LV), Dominican Republic (LV), Ecuador (LV), El Salvador (LV), Guatemala (LV), Honduras (LV), Nicaragua (LV), Panama (LV), Venezuela (LV), Puerto Rico (LV), Virgin Islands (LV) Mexico (LV), Asia Pacific (English) LV, Japan (LV), Taiwan (LV), Saudi Arabia (LV),
1	43H5544	1	Power cord set PRC (HV)
1	1339517	1	Power cord set Bolivia (HV), Peru (HV)
1	1339519	1	Power cord set Kuwait (HV), Bahrain (HV), Qatar (HV), UAE (HV), Oman (HV) Pakistan (HV), Yemen (HV), Iraq (HV), Libya (HV), Cyprus (HV), UK (HV), Ireland (HV)
1	1339520	1	Power cord set Brazil (HV), Paraguay (HV), Uruguay (HV), African Countries Denmark (HV), Austria (HV), Czech (HV) Slovak countries (HV), Greece (HV), Hungary (HV), Finland (HV), Norway (HV), Sweden (HV), France (HV), Belgium (HV), Netherlands (HV), Germany (HV), Italy (HV), Lebanon (HV), Syria (HV), Egypt (HV), Jordan (HV), Iran (HV), Euro English (HV), Albania (HV), Bosnia (HV), Bulgaria (HV), Croatia (HV), Slovenia (HV), Macedonia (HV), Yugoslavia (Serbia and Montenegro) (HV), Romania (HV), Iceland (HV) Poland (HV), Russia (HV), Turkey (HV), CIS (HV), Spain (HV), Catalan (HV), Portugal (HV),
1	1339521	1	Power cord set Israel (HV)
1	1339522	1	Power cord set Switzerland HV (French/German and Italian)
1	1339523	1	Power cord set South Africa (HV), Namibia (HV), Lesotho (HV), Botswana (HV)
1	1339524	1	Power cord set Chile (HV)
1	1339525	1	Power cord set Denmark, (HV)
1	1339544	1	Power cord set Argentina (HV)
2	12G6329	1	LVPS, 115V
2	12G6330	1	LVPS, 220V
3		8	Screw, PP 12G6540

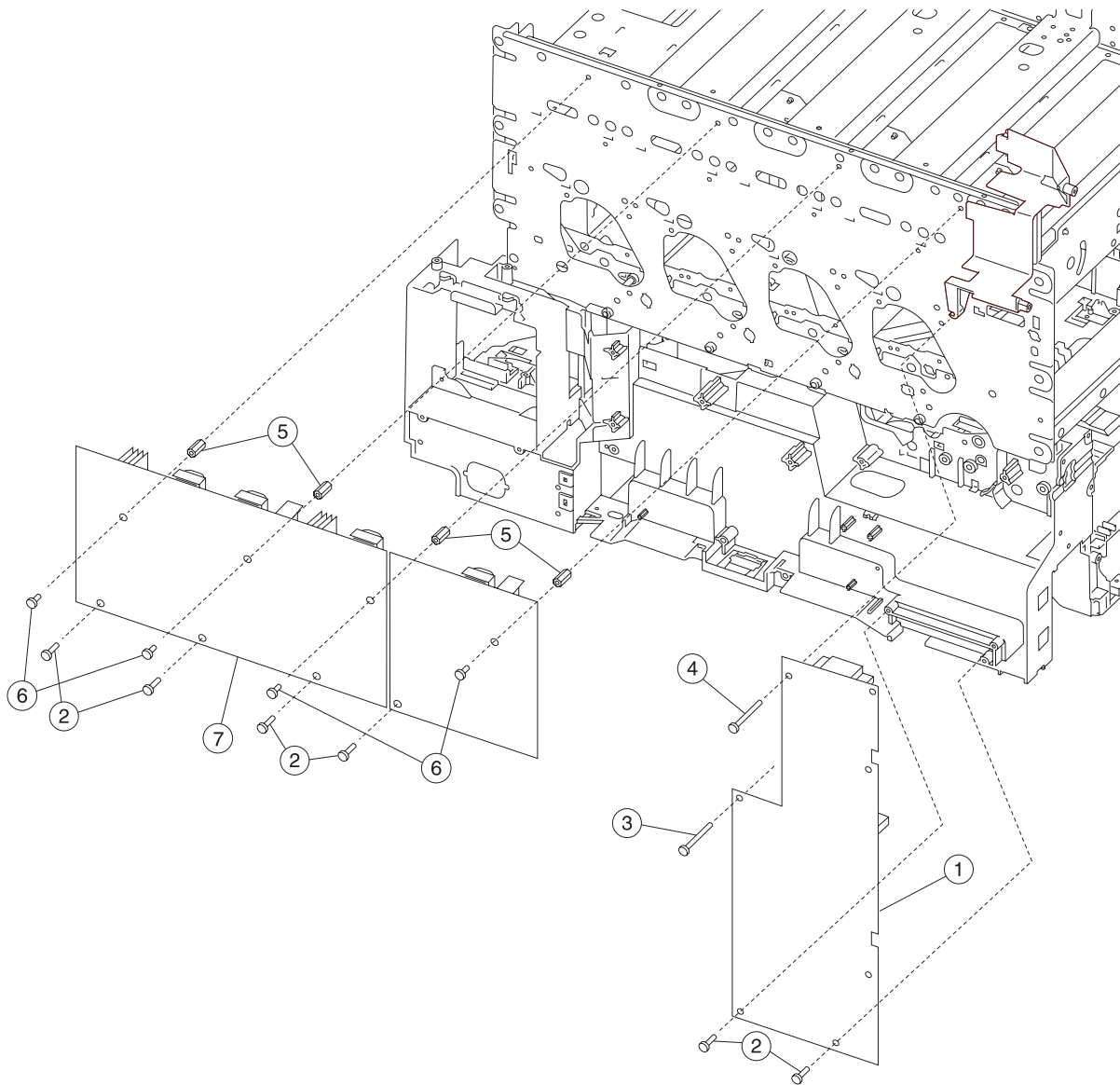
# Assembly 21.1: Electronics



## Assembly 21.1: Electronics

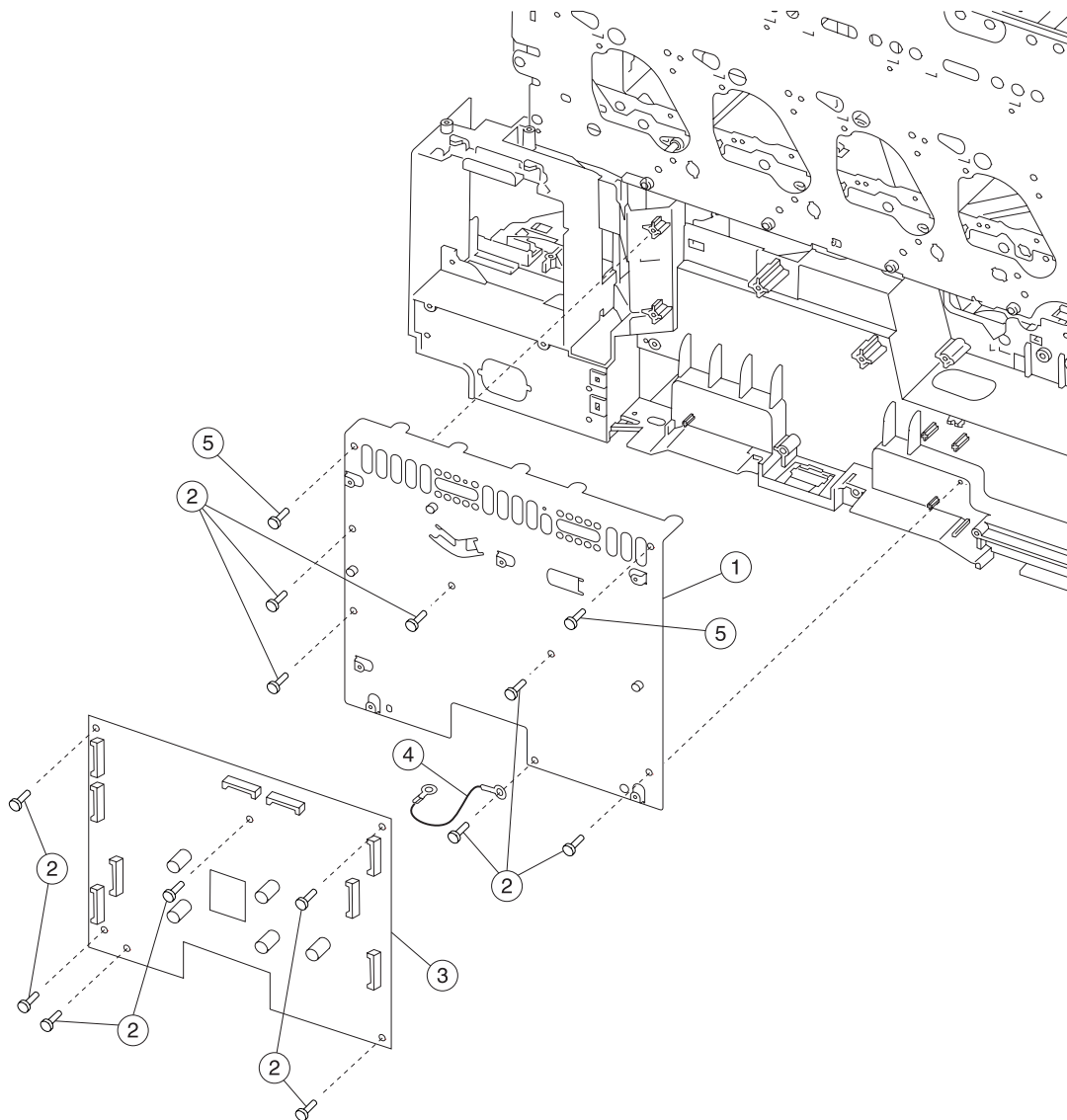
Asm- Index	Part number	Units	Description
21.1-1		22	Screw, PP 12G6309
2	12G6331	1	RIP board ground shield
3	12G6511	2	Cable mount
4	56P1188	1	RIP board assembly - network, model 5060-002
5	12G6334	2	INA riser support bracket
6	12G6326	1	Riser card assembly w/o support brackets
7	12G6335	1	Standoff, INA RIP spacer
8	56P9910	1	SDRAM DIMM 128MB
8	12G6509	1	SDRAM DIMM 64MB
9	56P1187	1	RIP board assembly, non-network, Model 5060-001
10	99A0426	1	Screw, parallel connector mounting
11	99A1611	1	Ethernet blank shield, use with non-network RIP boards
12	99A0408	1	INA blank flat shield, use when options are not installed
13	99A2432	1	Blank parallel shield, use with network RIP boards
14	12G6333	1	RIP board shield assembly
15	12G6332	1	RIP board cover shield
16	12G6487	1	Ground strap

## Assembly 21.2: Electronics



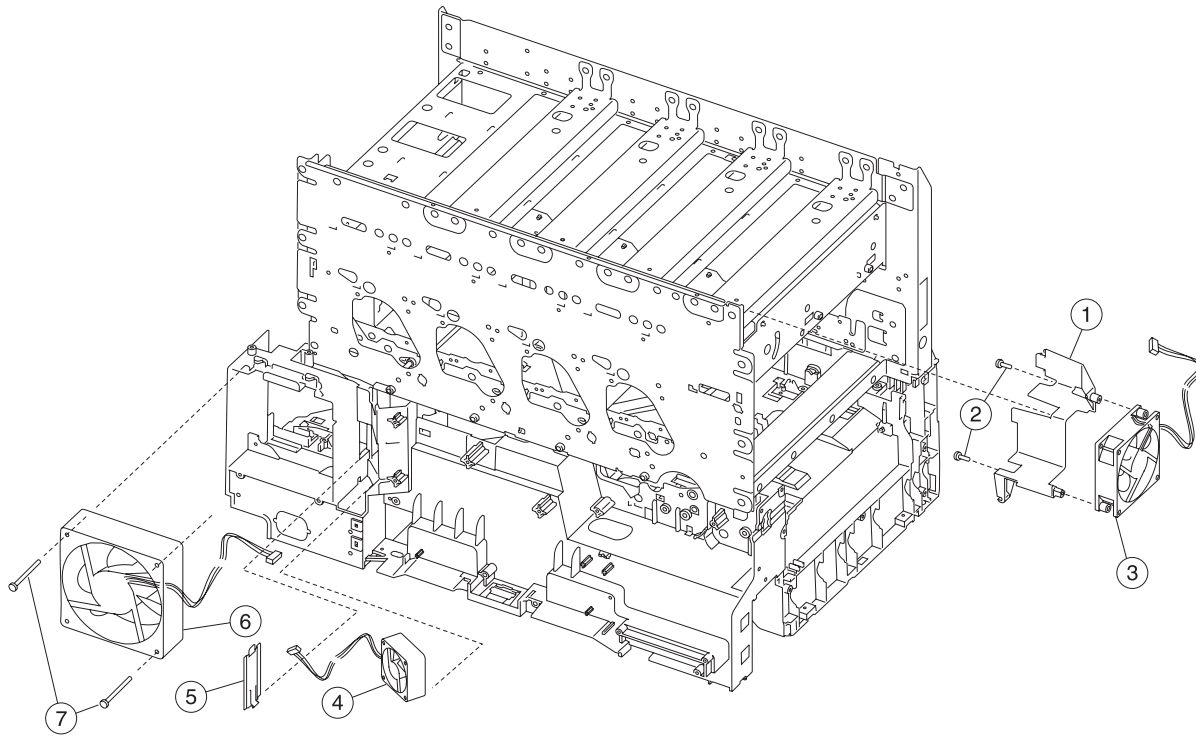
Asm-Index	Part number	Units	Description
21.2-1	12G6327	1	Transfer HVPS board
2		1	Screw, PP 12G6309
3		1	Screw, PP 12G6533
4		1	Screw, PP 12G6530
5	12G6541	4	Standoff, high voltage power supply - developer
6		4	Screw, PP 12G6540
7	12G6328	1	Developer HVPS board

## Assembly 21.3: Electronics



Asm-Index	Part Number	Units	Description
21.3-1	12G6336	1	Engine board shield
2		12	Screw, PP 12G6531
3	12G6323	1	Engine board
4	12G6387	1	Ground strap
5		14	Screw, PP 12G6309

## Assembly 21.4: Electronics





**Assembly 21.4: Electronics**

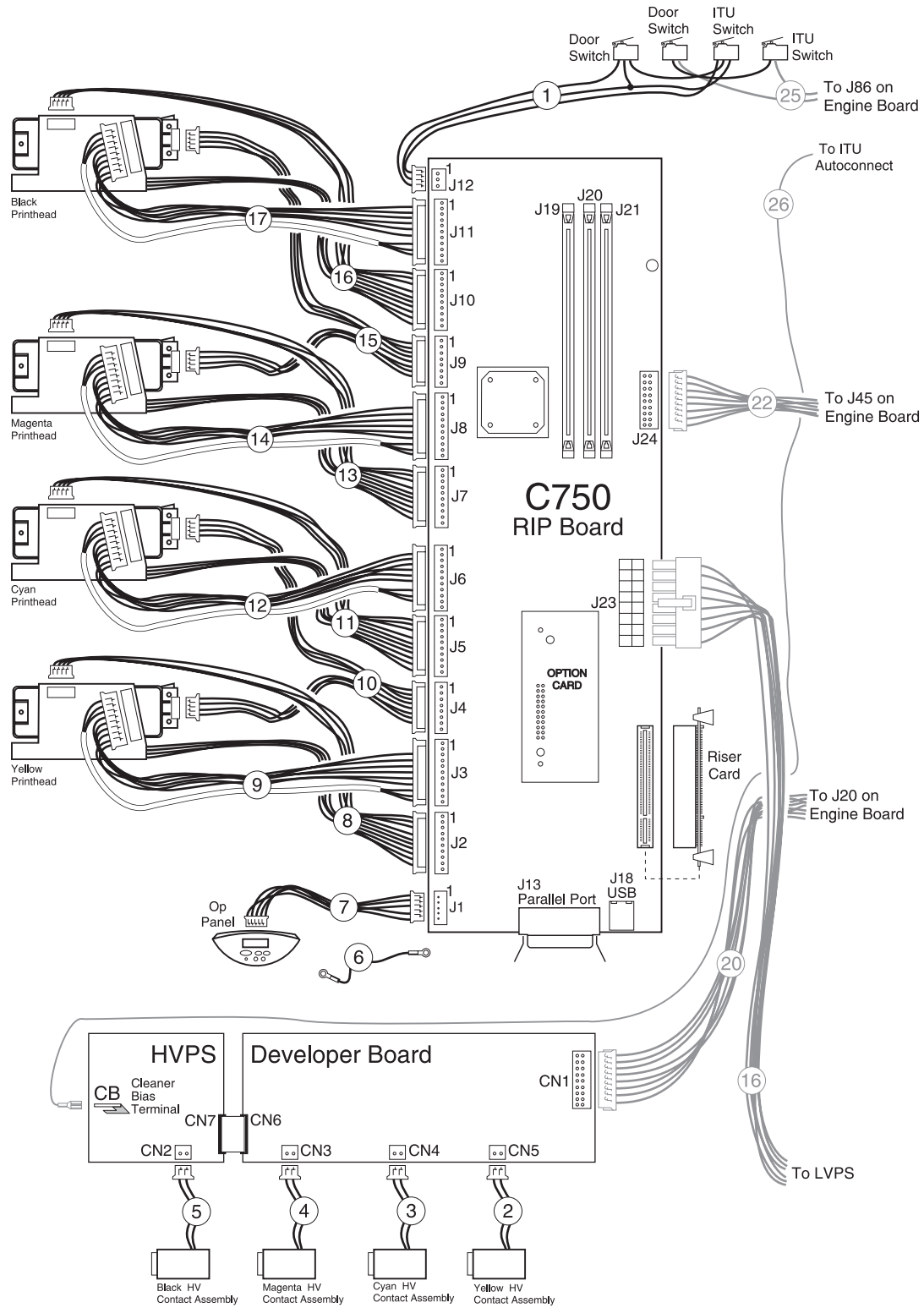
<b>Asm- Index</b>	<b>Part Number</b>	<b>Units</b>	<b>Description</b>
21.4-1	12G6343	1	RIP fan duct
2		2	Screws, PP 12G6530
3	12G6361	1	RIP fan
4	12G6479	1	VTB fan
5	12G6490	1	VTB fan gap cover
6	12G6382	1	Fuser fan
7	12G6529	2	Screws, fuser fan mounting



## Assembly 22: Electronic cabling—engine board

Asm- Index	Part Number	Units	Description
22—1		1	Cable, waste toner full, attached to ITU drive assembly (P/N 56P1216)
2	12G6317	1	Cable, HVPS control - transfer
3	12G6448	1	Cable, MPF paper level
4	56P0552	1	Cable, autocompensator motor
5	12G6486	1	Cable assembly (includes S2/NMS/transparency sensors)
6	56P0551	1	Cable, paper out/low and transparency media 2 sensors
7	12G6387	1	Cable, ground
8	12G6320	1	Cable, options - bottom
9		1	Cable, attached to VTB fan (P/N 12G6479)
10		1	Cable, LVPS to engine board/fuser, attached to LVPS (P/N 12G6329)
11		1	Power cord (see <b>“Electronics” on page 7-34</b> for a listing of part numbers)
12	12G6319	1	Cable, options - stacker
13		1	Cable, LVPS to engine/power, attached to LVPS (P/N 12G6329)
14	12G6350	1	Cable, attached to main fan (P/N 12G6382)
15	12G6349	1	Cable, fuser and yellow cartridge motor
16		1	Cable, LVPS to RIP board power, attached to LVPS (P/N 12G6329)
17	56P2031	1	Cable, web oiler motor
18		1	Cable, bin full sensor, with sensor (P/N 12G6506)
19		1	Cable, attached to BOR lift motor (P/N 12G6446)
20	12G6316	1	Cable, HVPS control - developer
21	12G6350	1	Cable, cyan and magenta cartridge drive motors
22	12G6318	1	Cable, engine/RIP communications
23	12G6351	1	Cable, ITU and black cartridge drive motors
24		1	Cable, attached to RIP fan (P/N 12G6361)
25	12G6504	1	Cable, HVPS interlock/cover open
26	56P0311	1	Cable ITU autoconnect
27		1	Cable, attached to registration motor (P/N 12G6480)
28	56P0174	1	Cable, second transfer roll
29	12G6440	1	Cable, magenta transfer
30	12G6546	1	Cable, yellow transfer
31	12G6441	1	Cable, cyan transfer
32	12G6439	1	Cable, black transfer

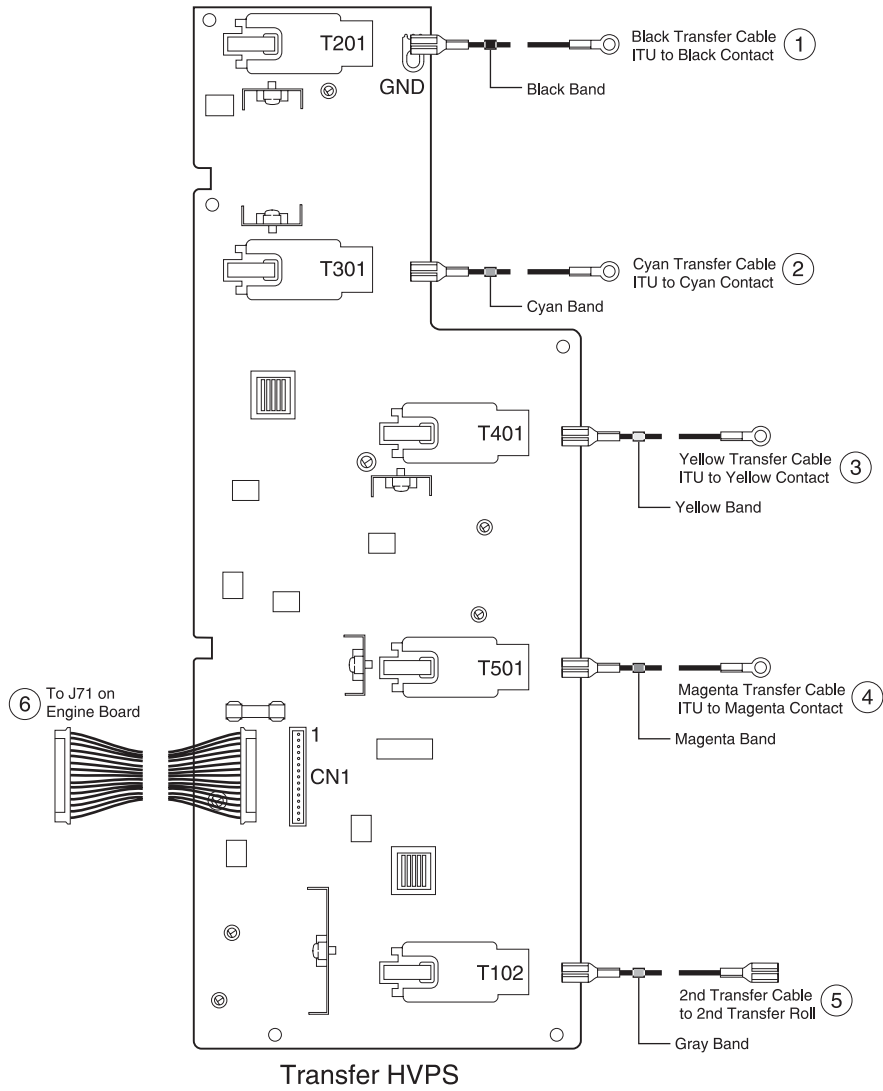
## Assembly 23: Electronic cabling—RIP board



## Assembly 23: Electronic cabling—RIP board

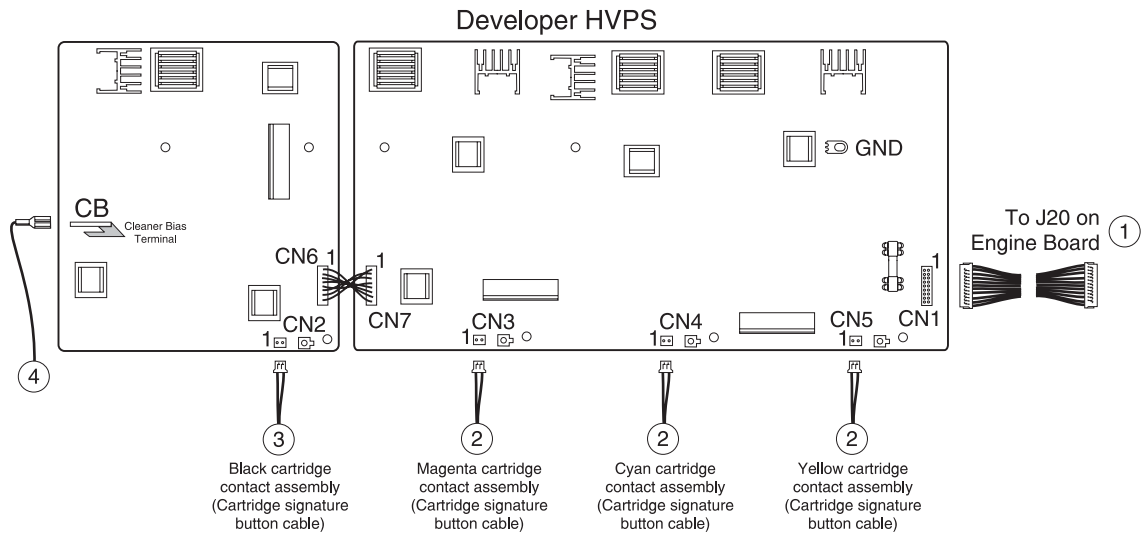
Asm- Index	Part Number	Units	Description
23—1	12G6503	1	Cable, printhead interlock/cover open
2	56P0310	1	Cable, signature button, attached to yellow HV contact assembly
3	56P0310	1	Cable, signature button, attached to cyan HV contact assembly
4	56P0310	1	Cable, signature button, attached to magenta HV contact assembly
5	56P0310	1	Cable, signature button, attached to black HV contact assembly
6	12G6387	1	Cable, ground
7	12G6321	1	Cable, operator panel
8		1	Printhead assembly - yellow, includes HSYNC and mirror motor cables (P/N 12G6322)
9	12G6310	1	Cable, video printhead - yellow
10	12G6314	1	Cable, thermistor - yellow and cyan
11		1	Printhead assembly - cyan, includes HSYNC and mirror motor cables (P/N 12G6312)
12	12G6311	1	Cable, video printhead - cyan
13		1	Printhead assembly - magenta, includes HSYNC and mirror motor cables (P/N 12G6322)
14	12G6312	1	Cable, video printhead - magenta
15	12G6315	1	Cable, thermistor - magenta and black
16		1	Printhead assembly - black, includes HSYNC and mirror motor cables (P/N 12G6322)
17	12G6313	1	Cable, video printhead - black

### Assembly 24: Electronic cabling—transfer HVPS



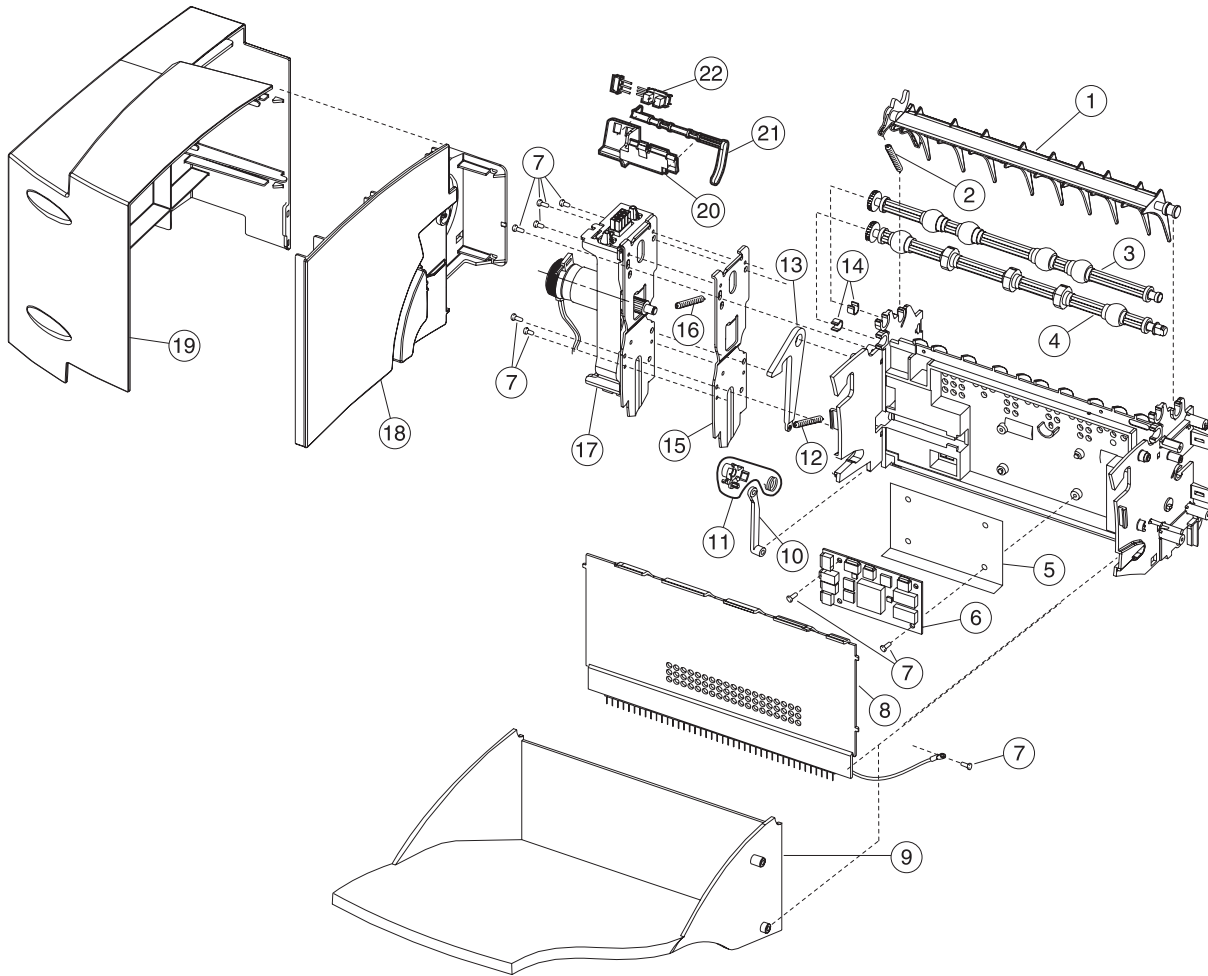
Asm-Index	Part Number	Units	Description
24-1	56P1565	1	Cable assembly, black terminal contact
2	56P1567	1	Cable assembly, cyan terminal contact
3	56P1568	1	Cable assembly, yellow terminal contact
4	56P1566	1	Cable assembly, magenta terminal contact
5	56P0174	1	Cable assembly, second transfer voltage
6	56P1502	1	Cable, HVPS control - transfer

## Assembly 25: Electronic cabling—developer HVPS



Asm-Index	Part Number	Units	Description
25-1	56P1502	1	Cable assembly, HVPS control - developer
2	56P0310	3	Cartridge contact assembly, complete, cyan/magenta/yellow
3	56P1561	1	Cartridge contact assembly, complete, black
4	56P0311	1	Cable, ITU Autocomp out with CB lead

### Assembly 26: Output expander

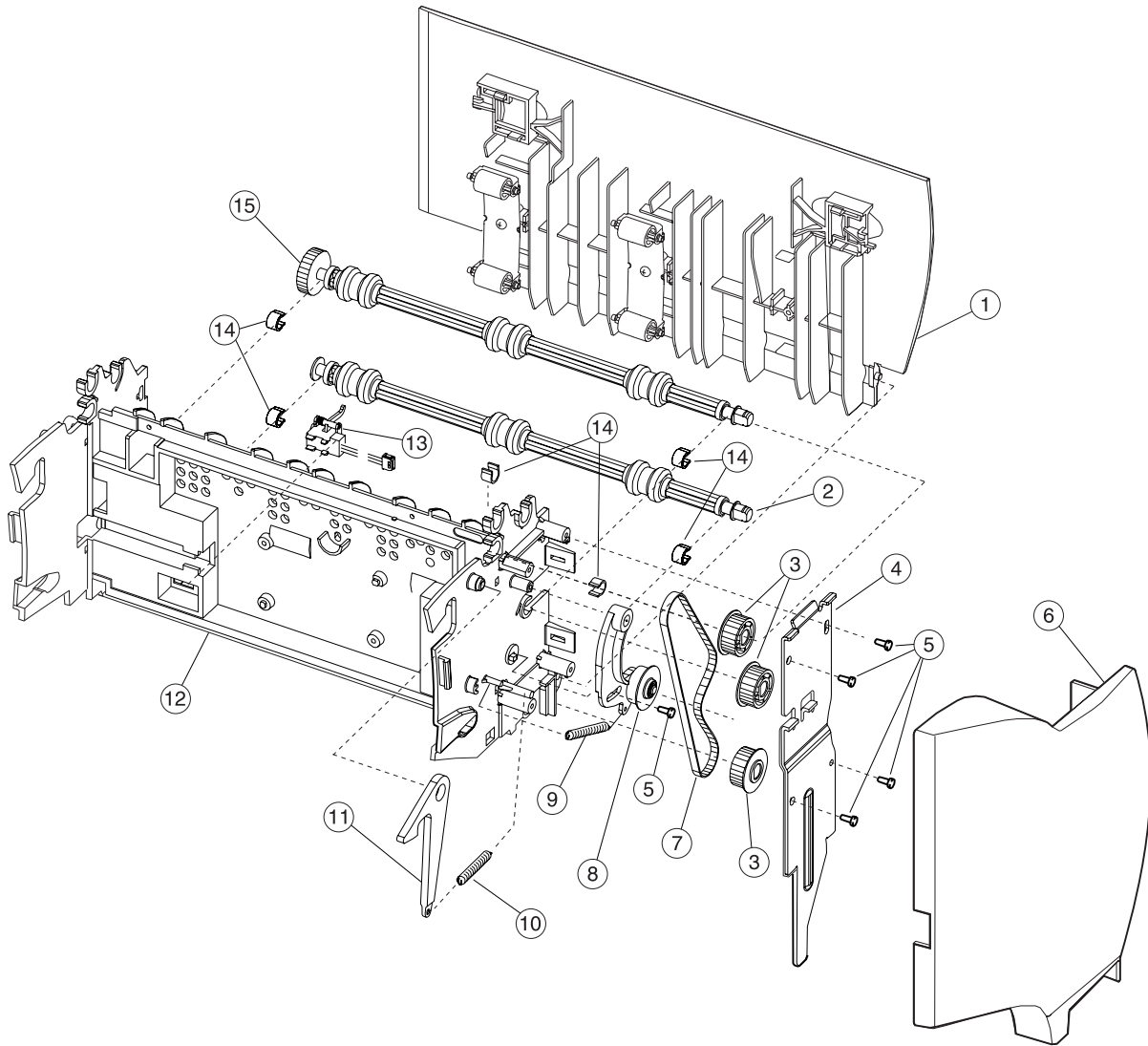




## Assembly 26: Output expander

Asm- Index	Part number	Units	Description
26-1	99A0107	1	Deflector, upper redrive, also order 99A0104
2	99A0104	1	Spring, upper diverter
3	99A0369	1	shaft assembly, exit, also order PP 99A0572
4	99A0052	1	Shaft assembly, lower exit, also order PP 99A0572
5	56P0407	1	Shield, output option card
6	99A0915	1	Board, Output Expander DC motor
7		9	Screw, PP 56P0169
8	56P0409	1	Cover, front control board
9	99A1817	1	Tray, Output Expander
10	99A1688	1	Diverter arm
11	99A1689	1	Spring clutch assembly
12	99A0482	1	Spring, output tray
13	99A0481	1	Latch, output tray
14		2	Shaft bearing PP 99A0572
15	99A1784	2	Bracket, attach
16	99A0415	2	Spring, swing arm
17	56P0408	1	Output Expander assembly, mechanical linkage
18	56P0402	1	Cover, rear support
19	56P0401	1	Rear cover
20	99A0409	1	Level sensor bracket
21	99A1580	1	Flag, output paper level
22	99A0414	1	Sensor, dual bin full

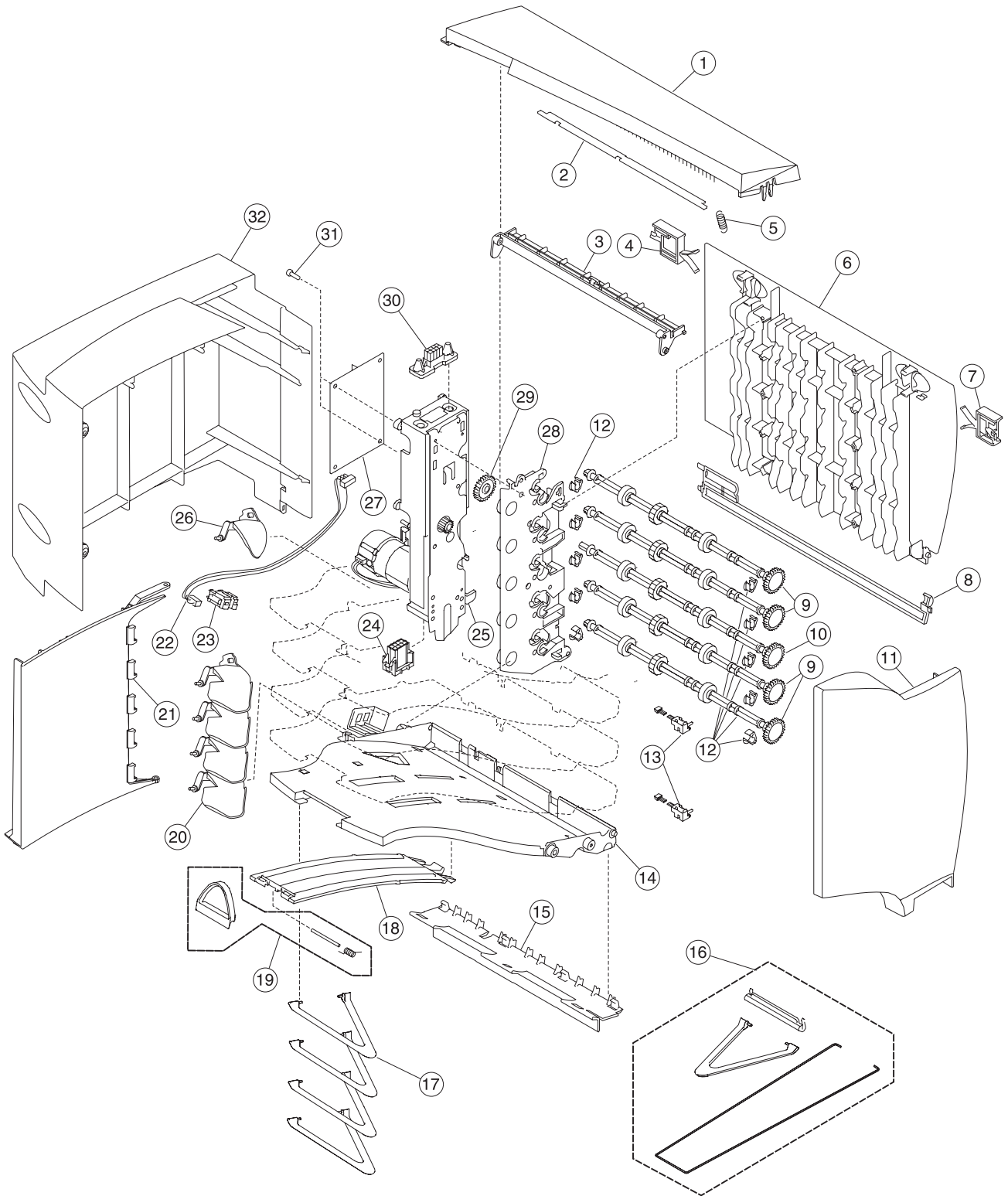
### Assembly 26.1: Output expander



## Assembly 26.1: Output expander

Asm- Index	Part number	Units	Description
26.1-1	56P0405	1	Door assembly, right jam access
2	99A0368	1	Shaft assembly, lower, also order PP 99A0572
3	99A0363	3	Pulley, drive
4	56P0410	2	Bracket, attach
5		11	Screw, PP 56P0169
6	56P0400	1	Cover, front
7	99A0361	1	Belt, 160 gear
8	99A0362	1	Arm assembly, belt idler
9	99A0364	1	Spring, belt tensioner
10	99A0482	1	Spring, output tray
11	99A0481	1	Latch, output tray
12	99A0912	1	Frame assembly
13	99A0351	1	Sensor, Output Expander pass thru
14		6	Shaft bearing PP 99A0572
15	99A0913	1	Shaft assembly, middle 40T, also order PP 99A0572
NS	99A1744	1	Kit, Multi-Bin Stacker

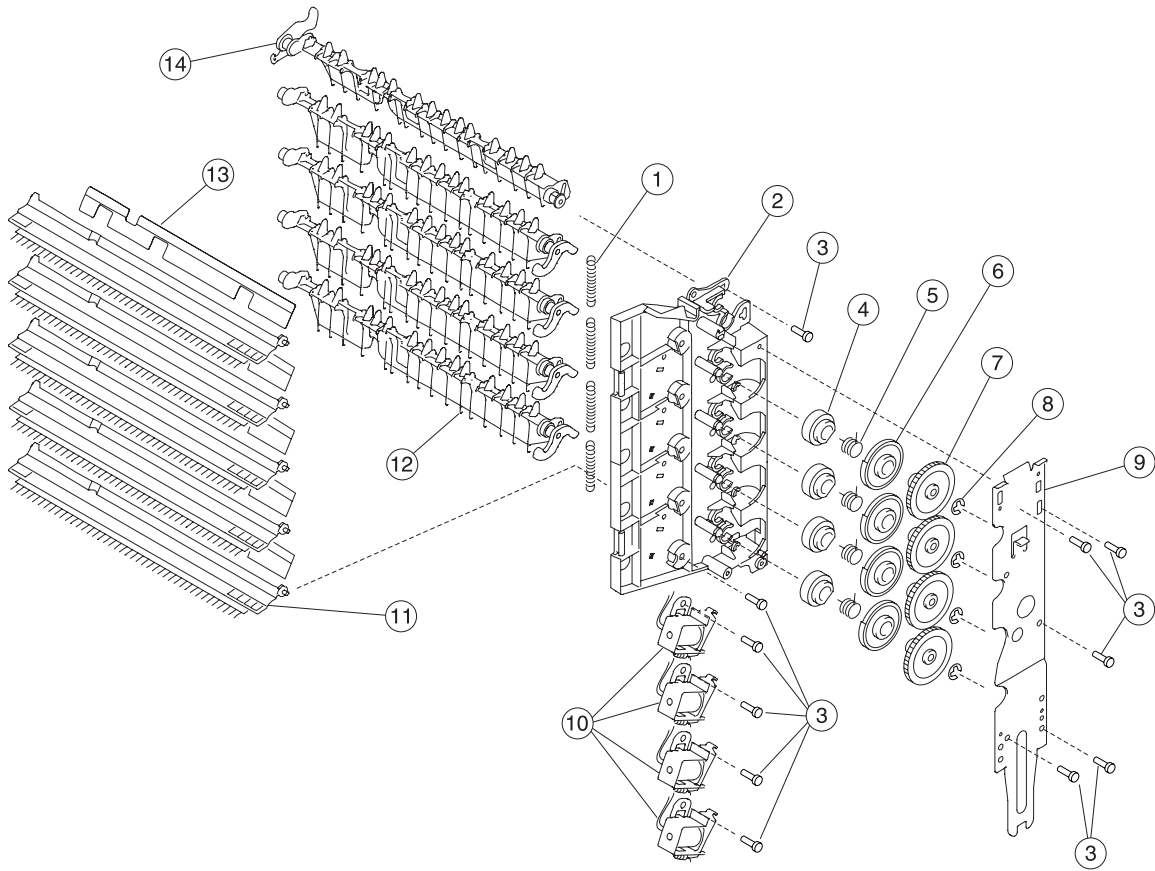
# Assembly 27: 5-bin mailbox



## Assembly 27: 5-bin mailbox

Asm-Index	Part number	Units	Description
27-1	12G6409	1	Cover, redrive cap
2	99A1710	1	Cover, wire
3	56P0416	1	Cover, top bin
4	56P0423	1	Latch, rear access door
5	99A0104	1	Spring, upper diverter
6	56P0411	1	Door, front
7	56P0422	1	Latch, access door front
8	56P0415	1	Cover, right
9	99A1723	4	Shaft asm, drive
10	99A1724	1	Shaft asm, drive with gear
11	99A1708	1	Cover, right side
12	99A1725	1	Packet, drive shaft bushing
13	99A1742	2	Sensor, 5-Bin Mailbox pass thru
14	99A1712	5	Tray, paper cap
15	56P0420	1	Bracket asm, bail attach
16	99A1743	1	Kit, 5-Bin Mailbox asm
17		1	Bail, order 99A1743, 5-Bin Mailbox asm kit
18	99A1713	5	Support, paper tray
19	99A1687	5	Stop asm, paper tray
20	99A1735	4	Flag, bin full
21	56P0412	1	Rear structural cover
22	99A1736	5	Cable, dual sensor
23	99A1737	5	Sensor, dual bin level
24	99A1718	1	Cable asm, lower autoconnect
25	99A1716	1	Drive asm, main DC drive
26	56P0417	1	Flag, bin full
27	99A1740	1	Board asm, 5-Bin Mailbox system
28	99A1726	1	Frame asm, left w/clutch asm
29	99A1786	1	Gear, drive
30	99A1719	1	Cable asm, upper autoconnect
31		12	Screw, board mounting, PP 99A0263
32	56P0413	1	Cover, left side

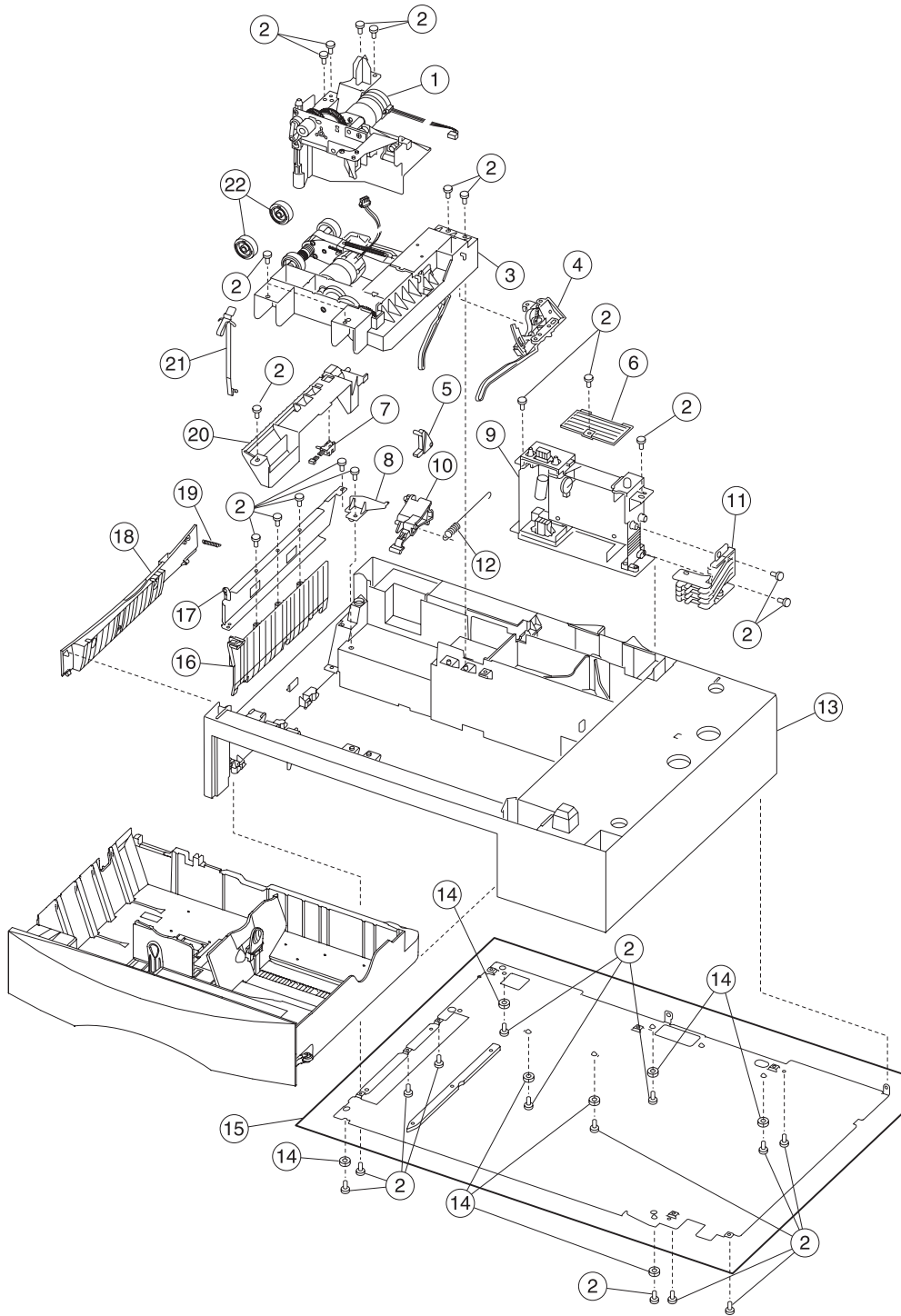
### Assembly 27.1: 5-bin mailbox



## Assembly 27.1: 5-Bin Mailbox

Asm- Index	Part number	Units	Description
27.1-1	99A1741	4	Spring, diverter
2	99A1727	1	Frame asm, right side
3		12	Screw, board mounting PP 12G6309
4	99A1728	4	Cam, diverter actuator
5	99A1731	4	Spring, diverter actuator
6	99A1729	4	Latch, diverter actuator
7	99A1730	4	Arbor, diverter actuator
8	99A1789	4	C-clip
9	56P0418	1	Bracket, attach front
10	99A1732	4	Solenoid, diverter
11	99A1738	5	Deflector, paper exit w/brush
12	99A1722	4	Deflector, paper
13	99A1787	4	Deflector
14	99A1721	1	Deflector, paper top bin
NS	56P0421	1	Spring, static ground
NS	99A0462	1	Grease packet, IBM #23
NS	99A1715	1	Roller asm, rear access door
NS	99A1717	1	Gear, drive
NS	99A1788	1	Retainer, R-ring
NS	99A0450	10	Retainer
NS	56P0550	1	Cable, tray media level sensor

### Assembly 28: 500-sheet drawer option

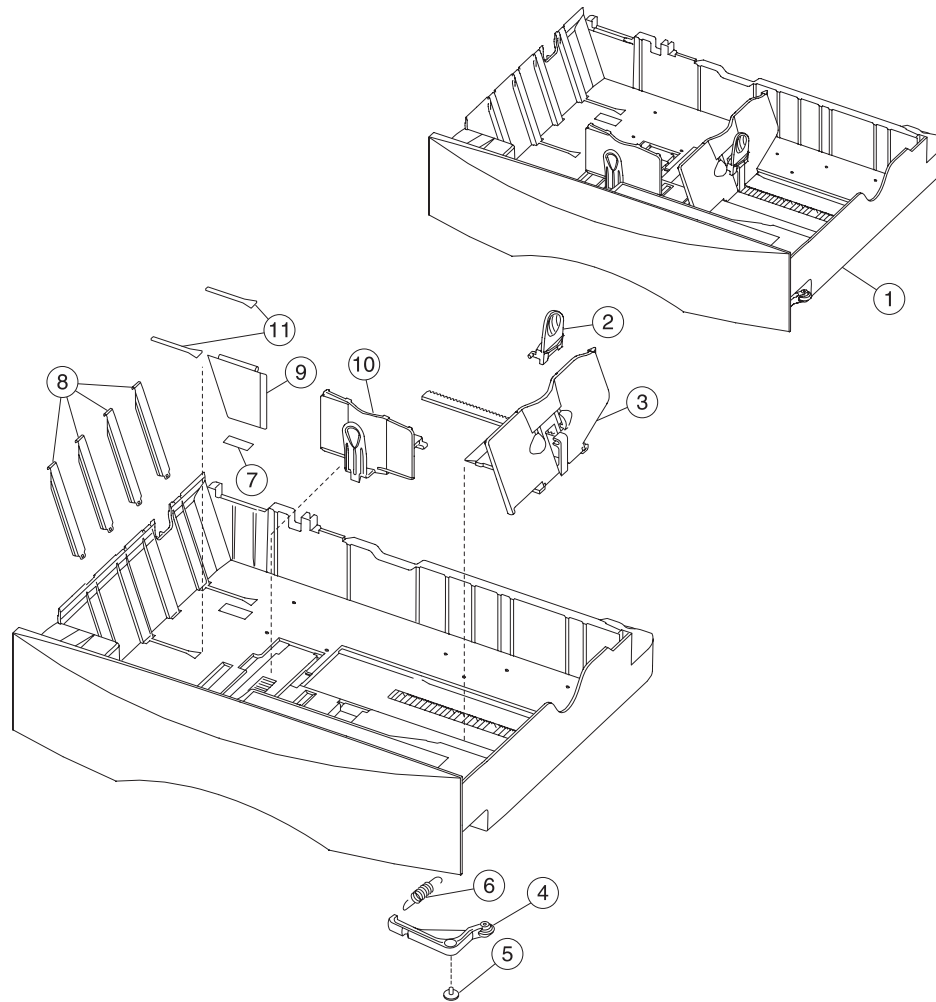




## Assembly 28: 500-sheet tray option

Asm- Index	Part number	Units	Description
28-1	56P0168	1	Drive assembly, 500 option 2
2		31	Screw, PP 12G6309
3	12G6550	1	500-Sheet Option tray pick assembly
4	12G6565	1	Paper level sensing assembly
5	12G6471	1	Tray interlock bellcrank
6	12G6556	1	Cover, frame
7	12G6553	1	Pass thru sensor
8	12G6562	1	Hinge
9	12G6559	1	Electronics/size sensing assembly with system board
10	12G6558	1	Pick arm lift bellcrank
11	12G6566	1	Paper size sensing assembly
12	12G6557	1	Bellcrank lift spring
13	12G6560	1	500 base assembly
14	12G6380	7	Machine pad
15	12G6554	1	Paper guide
16	12G6563	1	Wall support plate
17	12G6552	1	Base door assembly
18	12G6561	1	Spring
19	12G6555	1	500 option deflector
20	12G6567	1	Grounding spring
21	99A0070	2	Pick roll tires
NS	12G6510	4	Cable tie

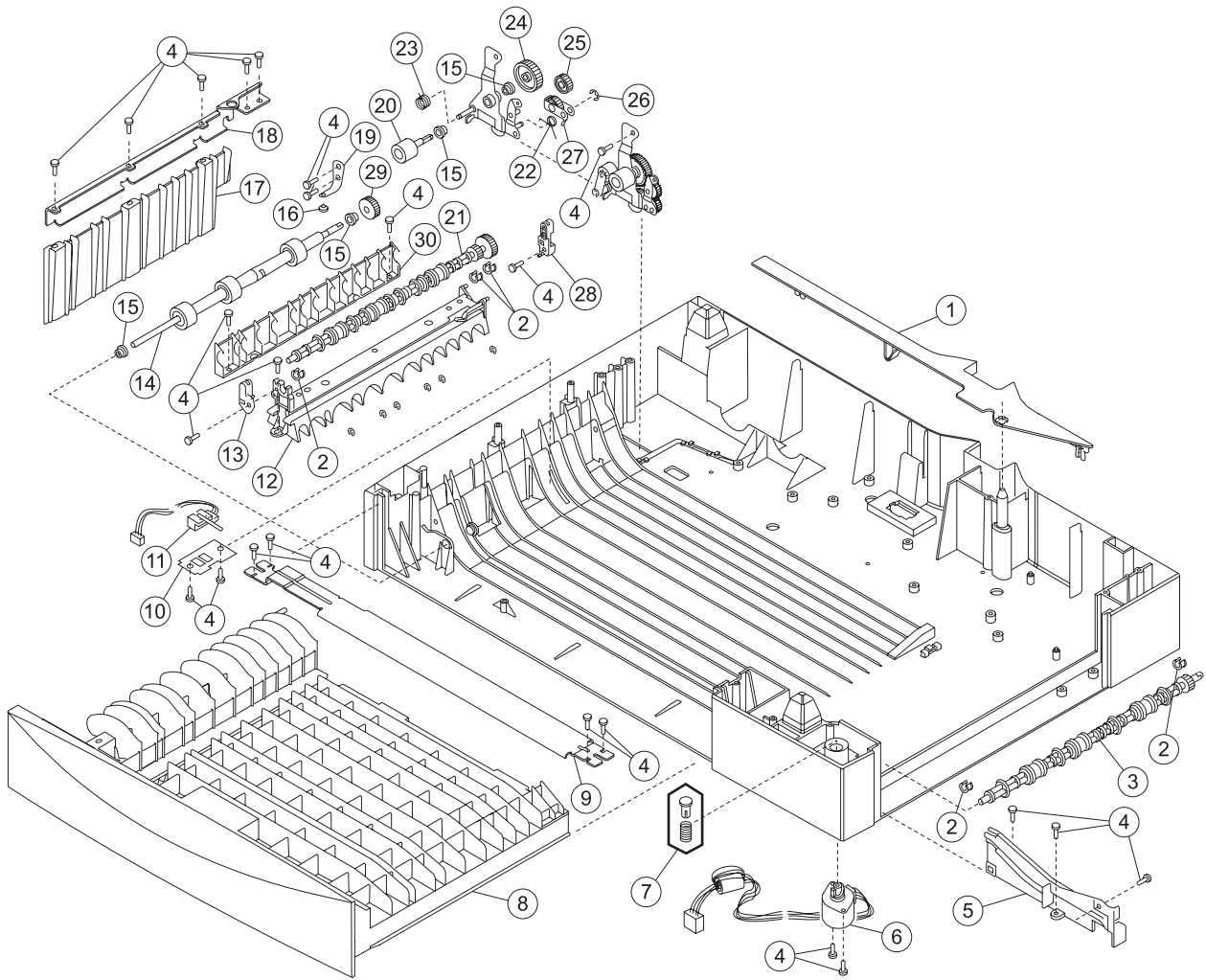
### Assembly 28.1: 500-sheet tray option



## Assembly 28.1: 500-sheet tray option

Asm- Index	Part number	Units	Description
28.1-1	12G6416	1	500-Sheet tray assembly
2	12G6419	1	Back restraint latch
3	12G6418	1	Back restraint
4	12G6425	1	Tray bias bellcrank assembly
5		1	Screw, PP 12G6533
6	12G6426	1	Tray bias spring
7	12G6568	1	Reflector label
8	12G6421	1	Wear strip
9	12G6420	1	Tray wear clip
10	12G6417	1	Side restraint
11	56P1504	2	Active restraint pad

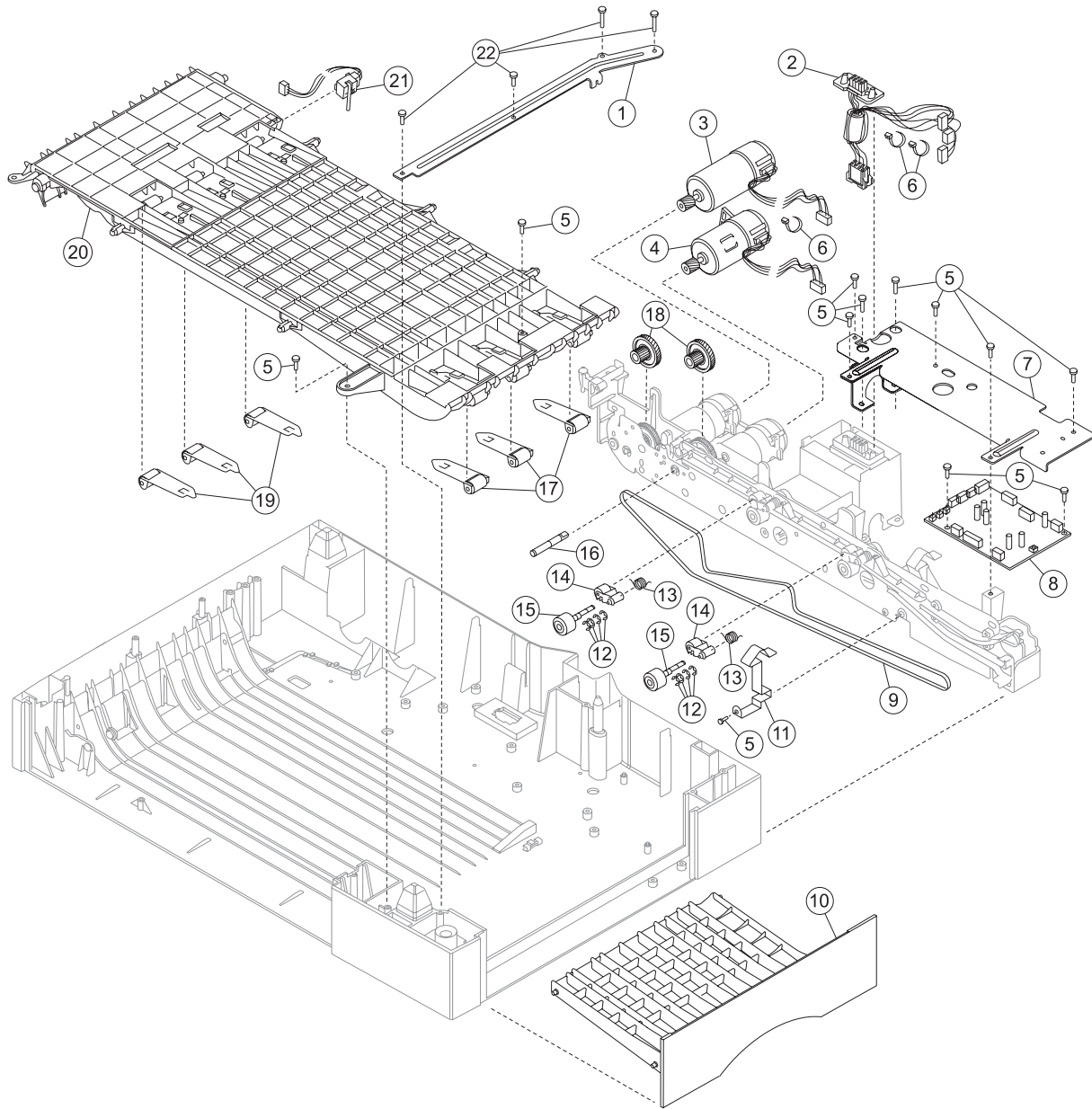
### Assembly 29: Duplex option



## Assembly 29: Duplex option

Asm- Index	Part number	Units	Description
29-1	56P0480	1	Back cover
2	99A2540	5	Redrive bearing
3	56P0447	1	Duplex entry shaft assembly
4		20	Screw PP 12G6533
5	56P0434	1	Right side front tray guide
6	56P0483	1	Deflector actuator assembly
7	56P0432	1	Duplex front jam tray assembly
8	56P0457	1	Duplex support bracket
9	56P0455	1	Sensor mount plate
10	56P0442	1	Duplex exit sensor
11	56P0435	1	Duplex shaft mount
12	56P0479	1	Front decurl assembly
13	56P0444	1	F/R backup shaft assembly
14	56P0476	3	5 mm bushing
15	56P0473	1	Brake pad
16	56P0439	1	Duplex paper guide
17	56P0454	1	Wall support
18	56P0475	1	Brake spring
19	56P0472	1	Pass thru shaft assembly
20	56P0441	1	Duplex shaft assembly
21	56P0468	1	Pass thru spring
22	56P0470	1	Aligner arm spring
23	56P0466	1	Spur drive gear
24	56P0467	2	26T duplex gear
25	99A0267		Retainer PP 99A0267
26	56P0471	1	Bellcrank assembly
27	56P0474	1	Decurl BAC assembly
28	56P0445	1	40T shaft drive F/R gear
29	56P0449	1	Support decurl guide
NS	56P0482	1	Pulley washer

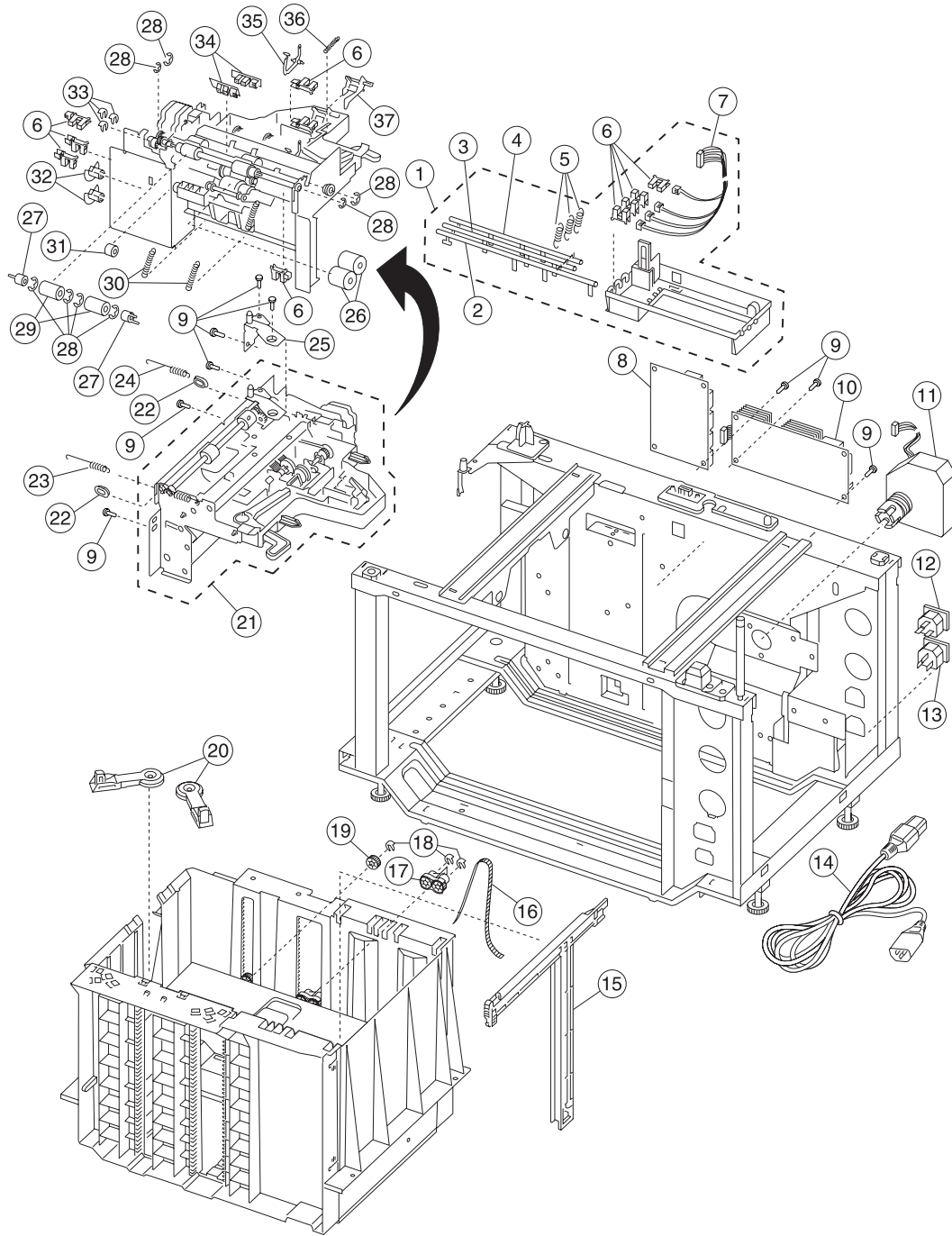
### Assembly 29.1: Duplex option



## Assembly 29.1: Duplex option

Asm- Index	Part number	Units	Description
29.1-1	56P0456	1	Duplex support plate
2	56P0462	1	Autoconnect cable assembly
3	56P0463	1	DC forward/reverse motor assembly
4	56P0464	1	DC duplex feed motor
5		1	Screw PP 12G6309
6	12G6510	6	Cable Tie (6 in pack)
7	56P0459	1	Back support
8	56P0430	1	Duplex card assembly
9	56P2484	1	Belt, transfer
10	56P0433	1	Right jam clearance tray assembly
11	56P0458	1	Chassis ground spring
12	99A1789	1	Retainer, C-clip
13	56P0478	2	Aligner spring
14	99A0323	2	Paper guide assembly
15	56P0465	2	Drive alignment shaft assembly
16	56P0477	1	Reduction gear shaft
17	56P0451	3	Backup spring assembly
18	99A1717	2	32 ppm drive gear
19	56P0452	3	Backup spring assembly
20	56P0436	1	Upper rib assembly
21	56P0437	1	Duplex output sensor
22			Parts packet P/N 12G6530, screws
NS	99A0323	2	Paper guide assembly

### Assembly 30: High-capacity input tray (HCIT)

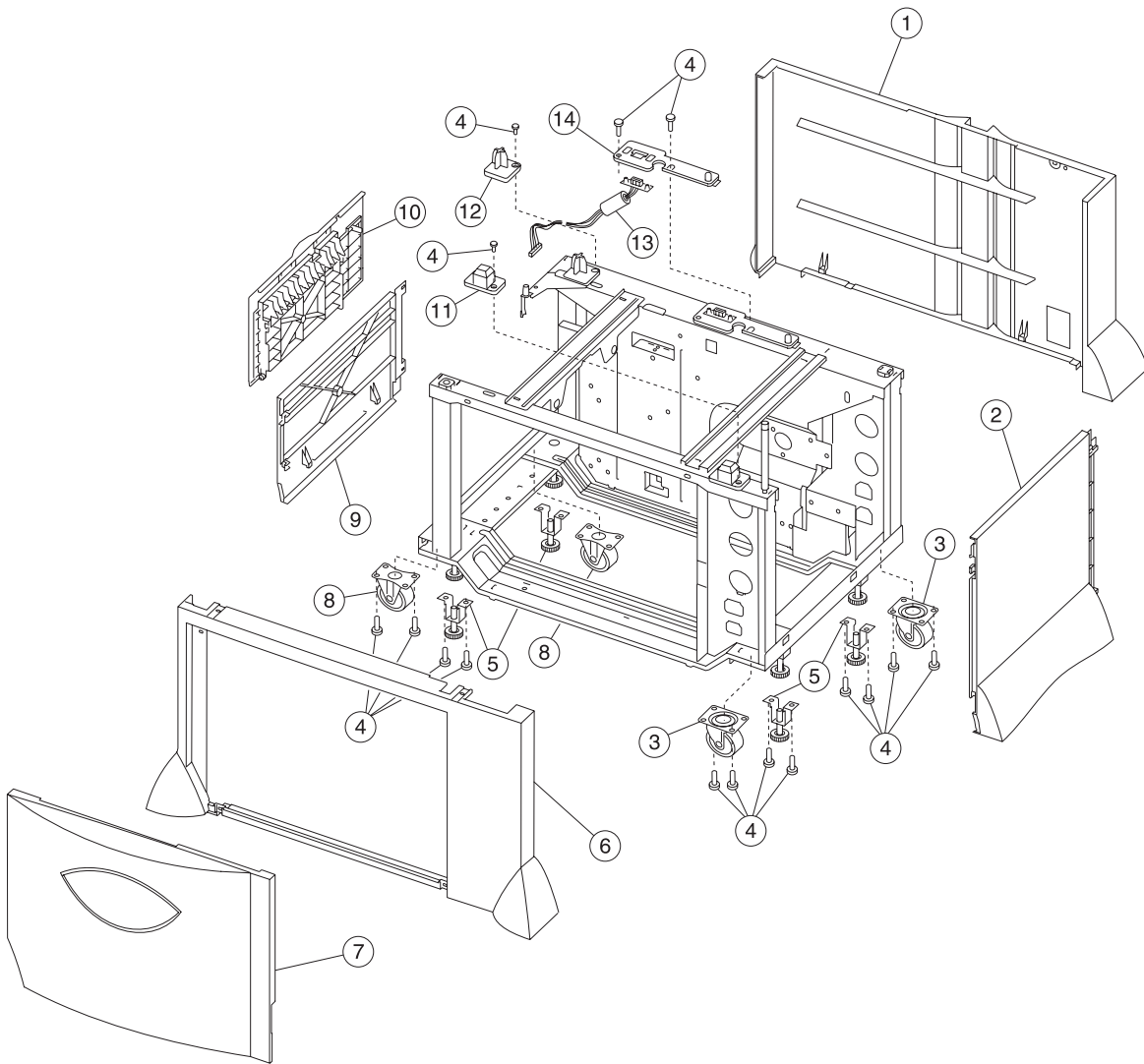




## Assembly 30: High-capacity input tray (HCIT)

Asm- Index	Part number	Units	Description
30-1	56P0561	1	Paper size sensor box assembly
2	56P0519	1	Flag, paper size R
3	56P0520	1	Flag, paper size F
4	56P0518	1	Flag, paper size C
5	56P0522	3	Spring, paper size flag
6	56P0516	10	Sensor, photo interrupter
7	56P0511	1	Paper size sensors cable
8	56P0494	1	System control board
9			Screws PP 12G6533
10	56P0495	1	LVPS
11	56P0513	1	Elevator motor assembly
12	56P0497	1	AC power outlet
13	56P0498	1	AC power inlet
14	56P0490	1	Jumper, AC power cord
15	56P0524	1	Paper tray guide
16	56P0547	1	Elevator lift belt
17	56P0549	1	Elevator lift
18	56P0563	3	Ring 7, elevator lift gear/elevator lift
19	56P0548	1	Elevator lift gear
20	56P0523	2	Paper tray arms
21	56P0525	1	Feed unit, complete assembly
22	56P0527	2	Bushing
23	56P0533	1	Spring, feed unit front
24	56P0534	1	Spring, feed unit rear
25	56P0562	1	Feed cover
26	56P0542	2	Separation/torque roller
27	56P0529	2	Feed cam
28			E-clips PP 56P0531
29	56P0528	2	Feed roller
30	56P0530	2	Spring, feed unit
31	56P0532	1	Bushing, 060
32	56P0544	2	Emitter timing wheel
33	56P0535	3	Clip, plastic 5W
34	56P0526	2	Sensors, special optical
35	56P0536	1	Level sensor flag
36	56P0540	1	Spring, extension
37	56P0539	1	Near empty sensor flag

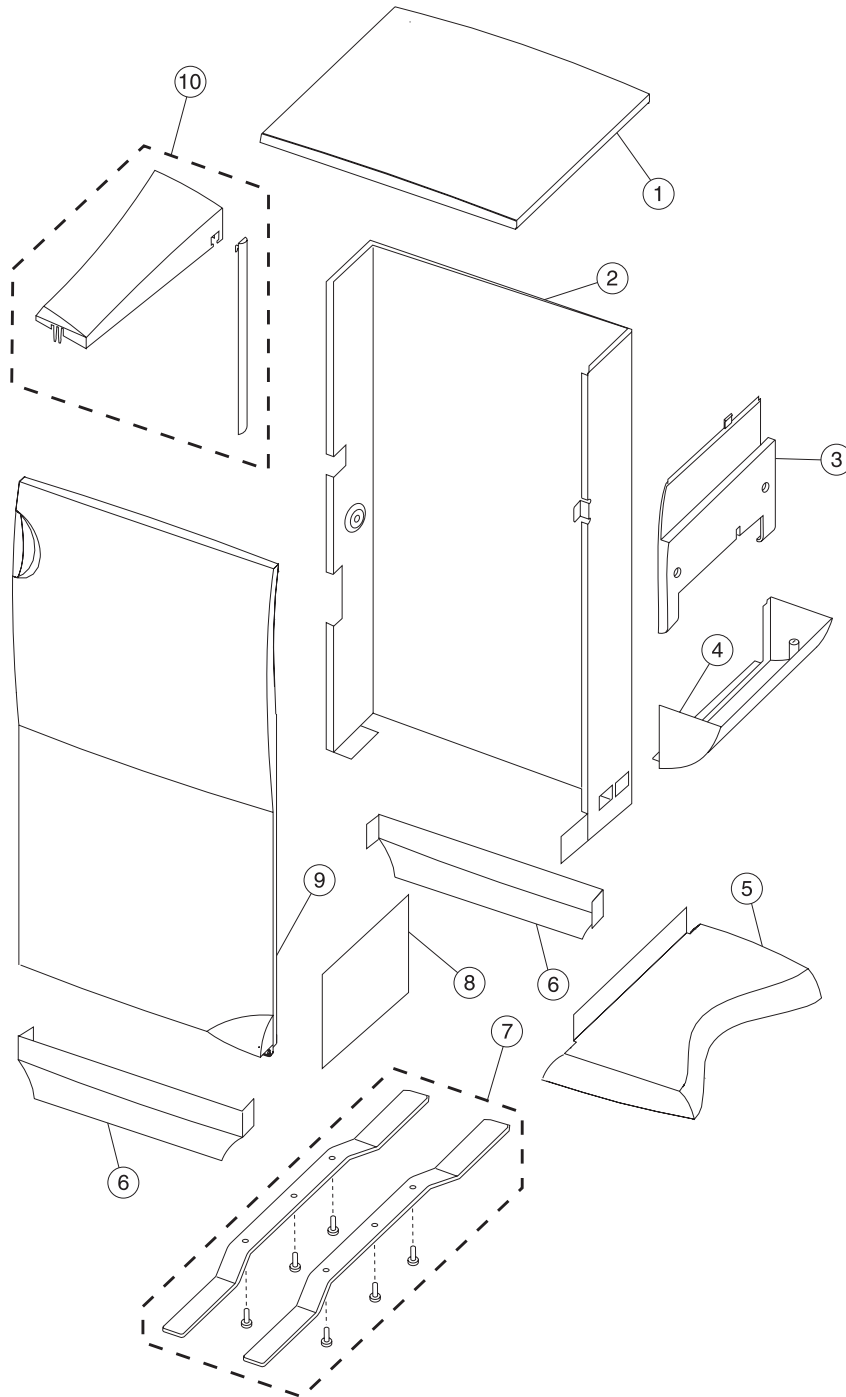
## Assembly 30.1: High-capacity input tray (HCIT)



## Assembly 30.1: High-capacity input tray (HCIT)

Asm-Index	Part number	Units	Description
30.1-1	56P0505	1	Rear cover
2	56P0503	1	Right side cover
3	56P0491	2	Caster, movable
4		16	Screws PP 12G6533
5	56P0493	4	F adjuster
6	56P0500	1	Front cover
7	56P0501	1	Cover, main CA
8	56P0492	2	Caster, fixed
9	56P0504	1	Left side cover
10	56P0508	1	Upper left side jam cover
11	56P0507	1	Locating pin, options front right
12	56P0506	1	Locating pin, options rear left
13	56P0514	1	Options autoconnect cable assembly
14	56P0517	1	Options cable mounting plate
NS	56P0509	1	Cable, feed unit special sensors
NS	56P0510	1	Cable, feed unit sensors
NS	56P0512	1	Cable, elevator motor
NS	56P0515	1	Magnetic latch
NS	56P0541	1	Tray present lever
NS	56P0543	9	Cable clamp
NS	56P0564	1	Kit, stabilizer with mounting screws

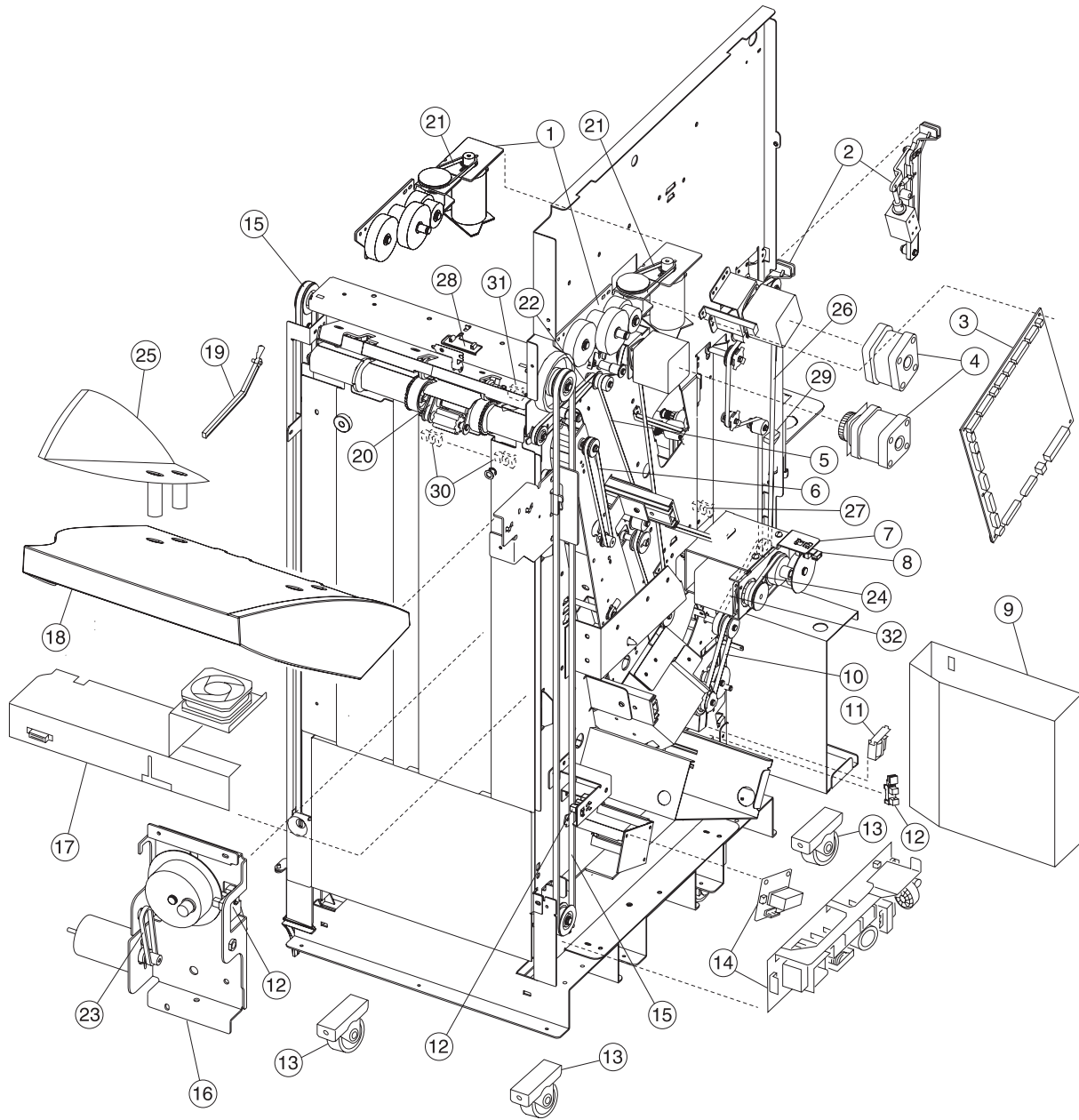
### Assembly 31: High-capacity output finisher (HCOF)



## Assembly 31: High-capacity output finisher (HCOF)

Asm- Index	Part number	Units	Description
31-1	56P0321	1	Top cover (tall finisher)
1	56P1287	1	Scanner plate (short finisher)
2	56P0569	1	Rear cover
3	56P0573	1	Upper right side cover (tall finisher)
3	56P1286	1	Upper right side cover (short finisher)
4	56P0574	1	Lower tray cover
5	56P0576	1	Bottom kick cover
6	56P0575	1	Front/rear lower cover
7	56P0387	1	Bar tip unit
8	56P0577	1	Lower right side cover
9	56P0320	1	Cover front door
10	56P0566	1	Finisher install kit
11	56P1290	1	Cover wire
NS	56P0317	1	Cartridge staple

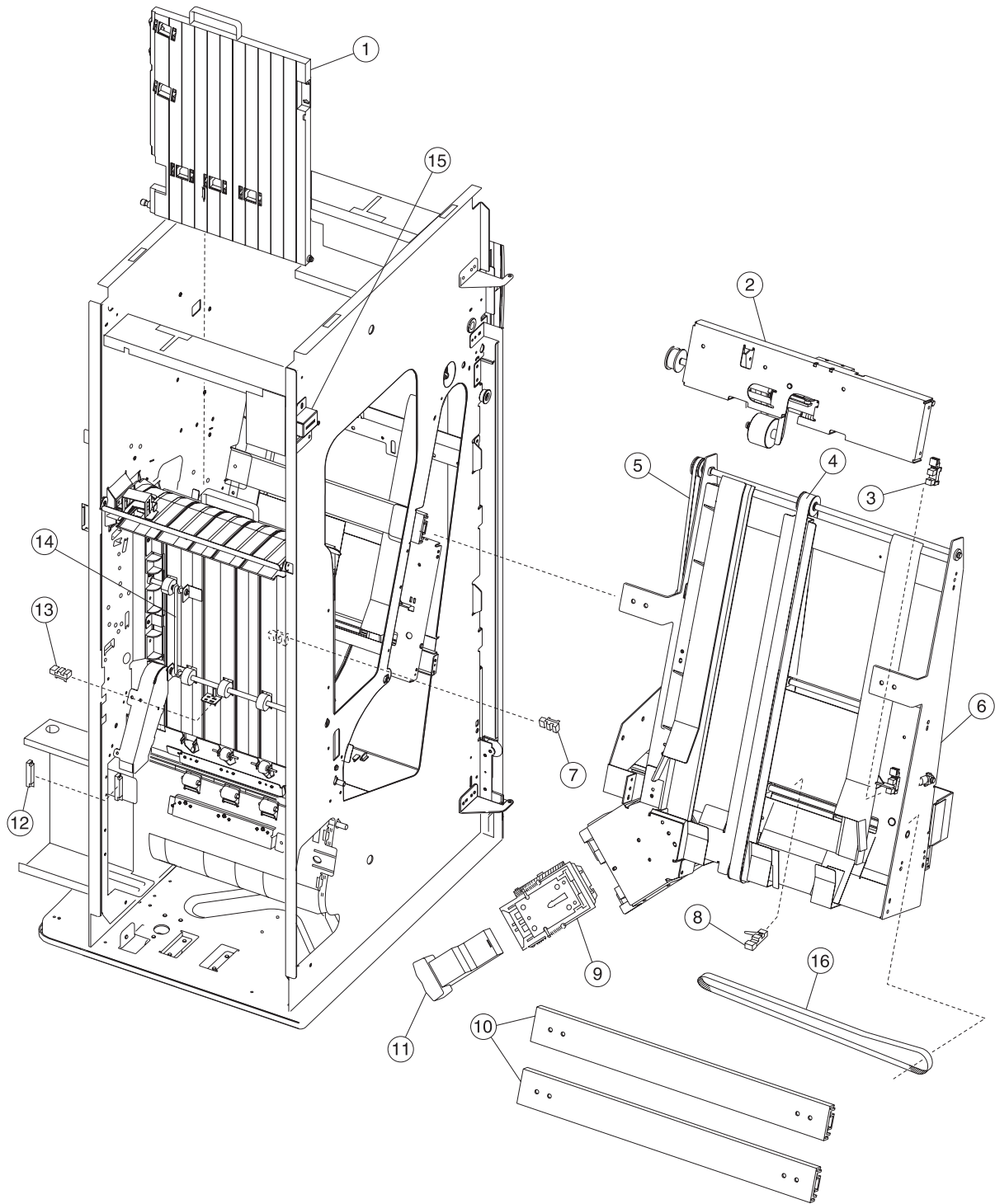
# Assembly 31.1: High-capacity output finisher



## Assembly 31.1: High-capacity output finisher

Asm-Index	Part number	Units	Description
31.1-1	56P0324	1	Motor assembly elevator tray
2	56P0357	1	Actuation assembly
3	56P1471	1	HCOF control board assembly
4	56P0325	1	Motor assembly paper feed
5	56P0332	1	Accumulator paper feed belt (40S3M900)
6	56P2294	1	Accumulator drive belt (B30S2M334)
7	56P0315	1	Punch assembly
8	56P0345	1	Punch motor homing sensor (GP1A73A)
9	56P0318	1	Box chad
10	56P0329	1	Inverter D drive belt (40S3M225)
11	56P0383	1	Solenoid inverter
12	56P0347	3	Inverter jam/tray near full/output tray offset sensor (EE-SX1235A-P2)
13	56P0342	4	Caster
14	56P0338	1	Low voltage power supply
15	56P0333	2	Tray elevator belt (60S6M1420)
16	56P0323	1	Output tray offset motor and gear assembly
17	56P0386	1	Fan assembly DC motor
18	56P0322	1	Tray paper
19	56P0326	1	Flag paper full
20	56P0331	1	Exit foam Roller drive belt (40S3M80)
21	56P0334	1	Tray elevator drive belt (170P2M4)
22	56P0335	1	Exit roller drive belt (40S2M264)
23	56P0336	1	Output tray offset drive belt (40S2M134)
24	56P0337	1	Punch belt (40S2M176)
25	56P0578	1	Tray wall cover
26	56P0327	1	Paper feed belt (40S3M888)
27	56P0343	1	Punch timing sensor (OJ-541-A5)
28	56P0350	2	Paper surface sensor (EE-SX460-P1-CHN)
29	56P0352	1	Printer docking switch SS-5FL-3T(10E)
30	56P0388	1	Tray limit switches (includes two)
31	56P0346	1	Exit timing sensor (EE-SPY415)
32	56P0328	1	Inverter transfer belt (40S3M198)
NS	56P0340	1	Cable, communications
NS	56P0341	1	Power cord
NS	56P0354	1	Bracket finisher alignment
NS	56P0356	1	Pack magnet, strong and weak and door latch

### Assembly 31.2: High-capacity output finisher

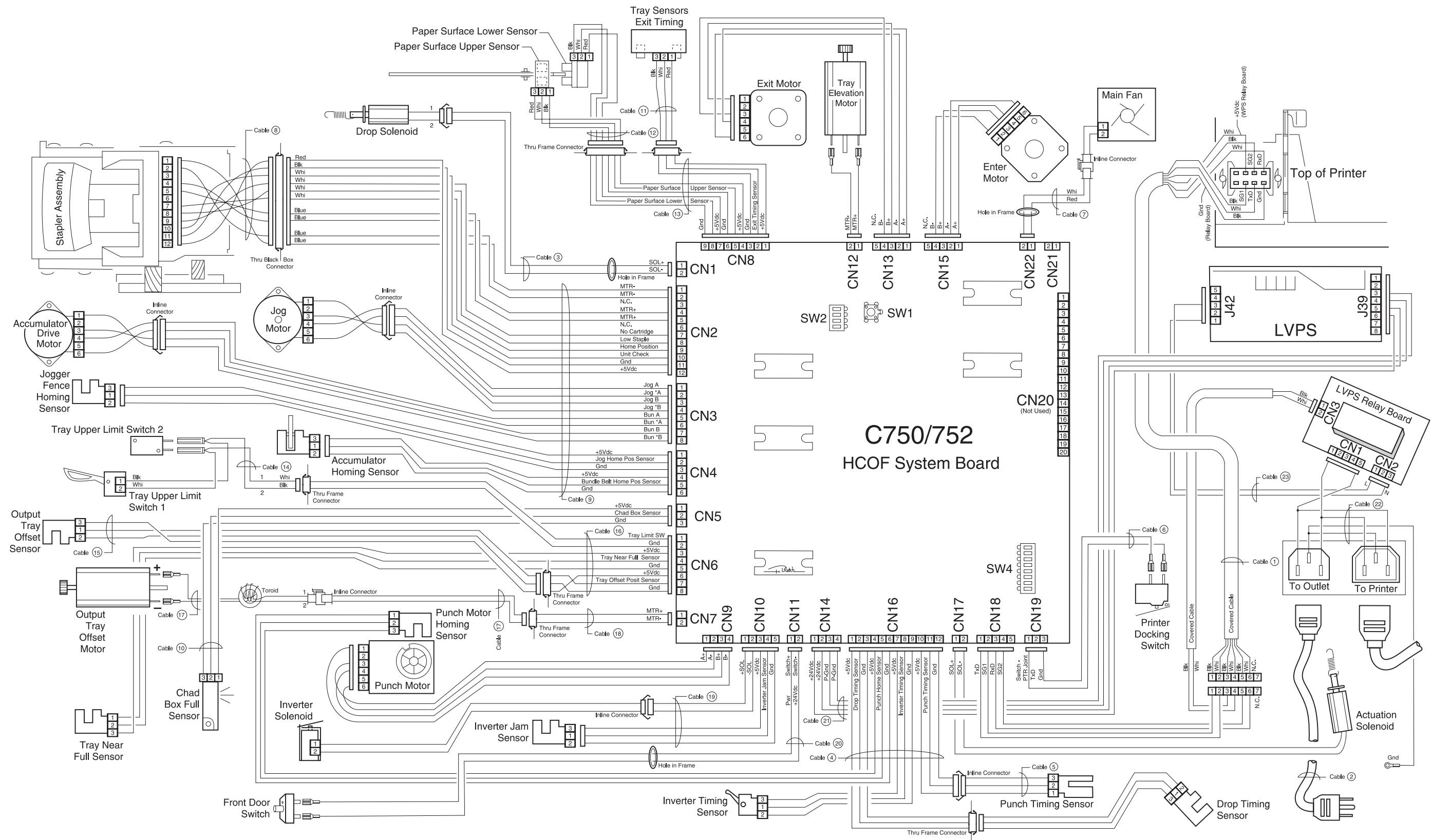




## Assembly 31.2: High-capacity output finisher

Asm- Index	Part number	Units	Description
31.2-1	56P0355	1	Guide vertical paper
2	56P0385	1	Solenoid drop assembly
3	56P0347	1	Jogger fence homing sensor (EE-SX1235A-P2)
4	56P0384	1	Accumulator belt (hook)
5	56P2294	1	Accumulator drive belt (B30S2M334)
6	56P0319	1	Accumulator w/o stapler
7	56P0348	1	Drop timing sensor (OS-535223-602)
8	56P0349	1	Accumulator homing sensor (OS-311D-A5)
9	56P0316	1	Staple assembly
10	56P0358	2	Accumulator slides
11	56P0317	1	Staple cartridge
12	56P0346	1	Chad box full sensor (EE-SPY415)
13	56P0344	1	Inverter timing sensor (OJ511K-A5)
14	56P0330	1	Paper feed-input belt (40S3M279)
15	56P0351	1	Cover open switch
16	56P2295	1	Jogger fence belt (B40S2M460)
NS	56P0382	1	Harness cable assembly D5 - low voltage power supply to low voltage power relay board

### Assembly 32: High-capacity output finisher cables



## Assembly 32: High-capacity output finisher cables

Asm-Index	Part number	Units	Description
32-1	56P0340	1	Cable, communications
2	56P0341	1	Power cord
3	56P0359	1	Harness cable assembly H2 - system board to drop solenoid
4	56P0360	1	Harness cable assembly H3 - system board to harness cable assembly H4/drop timing sensor/punch motor homing sensor/inverter timing sensor
5	56P0361	1	Harness cable assembly H4 - harness cable H3 to punch timing sensor
6	56P0362	1	Harness cable assembly H5 - system board to printer docking switch
7	56P0363	1	Harness cable assembly H6 - system board to fan
8	56P0364	1	Harness cable assembly S1 - stapler cable to stapler assembly
9	56P1280	1	Harness cable assembly stapler - system board to cable S1/jogger fence homing sensor/accumulator homing sensor/jogger motor accumulator drive motor
10	56P0368	1	Harness cable assembly S5 - system board to chad box full sensor
11	56P0369	1	Harness cable assembly E2 - cable E5 to exit timing sensor
12	56P0370	1	Harness cable assembly E3 - cable E5 to paper surface upper sensor/paper surface lower sensor
13	56P0371	1	Harness cable assembly E5 - system board to cable E2/E3
14	56P0372	1	Harness cable assembly E6 - cable E8 to tray limit switches
15	56P0373	1	Harness cable assembly E7 - cable E8 to output tray offset sensor
16	56P0374	1	Harness cable assembly E8 - system board to E6/E7
17	56P0375	1	Harness cable assembly E9 - cable E10 to output offset motor
18	56P0376	1	Harness cable assembly E10 - system board to cable E9
19	56P0378	1	Harness cable assembly R1 - system board to inverter solenoid/inverter jam sensor
20	56P0379	1	Harness cable assembly D1 - system board to front door switch
21	56P0380	1	Harness cable assembly D2 - system board to low voltage power supply
22	56P0381	1	Harness cable assembly D3 - low voltage power supply relay board to AC input/output
23	56P0382	1	Harness cable assembly D5 - low voltage power supply to low voltage power supply relay board.

## Assembly 33: Options

Asm-Index	Part number	Units	Description
NS	56P9909	1	Card assembly, PRESCRIBE
NS	12G6509	1	Card assembly, 64MB SDRAM
NS	56P9910	1	Card assembly, 128MB SDRAM
NS	56P9911	1	Card assembly, 256MB SDRAM
NS	56P9912	1	Card assembly, 4MB flash DIMM
NS	56P9913	1	Card assembly, 8MB flash DIMM
NS	56P9914	1	Card assembly, 16MB flash DIMM
NS	56P2107	1	Card assembly IPDS/SCS/Tne
NS	56P1120	1	Card assembly, Bar code
NS	56P1461	1	Card assembly, ImageQuick™
NS	56P9935	1	Card assembly, Traditional Chinese font DIMM
NS	56P9936	1	Card assembly, Simplified Chinese Font DIMM
NS	56P9975	1	Card assembly, Japanese font DIMM
NS	56P0162	1	Adapter, parallel 1284 C-B
NS	56P9982	1	Hard disk, 20GB with/adapter (formatted)
NS	56P9926	1	Lexmark Optra Forms™ software
NS	56P9927	1	Lexmark Forms Director software
NS	56P9928	1	Lexmark Forms 4MB flash DIMM
NS	56P9929	1	Lexmark Forms 8MB flash DIMM
NS	56P9930	1	Lexmark Forms 16MBMB flash DIMM
NS	56P9932	1	Hard disk, Lexmark Forms
NS	56P9942	1	Hard drive mounting kit
NS	56P9934	1	MarkNet™ Token-Ring Print Server
NS	12G1695	1	MarkNet N2001e Ethernet 10/100BaseTX
NS	12G1696	1	MarkNet N2002e Ethernet 10BaseT/2
NS	56P1431	1	MarkNet X2011e Ethernet 10/100 BaseTX-1 port
NS	56P1432	1	MarkNet X2012e Ethernet 10/100 BaseTX/10 Base2 - 1 port
NS	56P1433	1	MarkNet X2031e Ethernet 10/100 Base TX - 3 port
NS	56P1434	1	MarkNet X2030e Token-Ring - 3 port
NS	99A0545	1	External serial adapter
NS	99A0560	1	Tri-Port Adapter - LocalTalk/serial/infrared
NS	99A0629	1	Coax/Twinax Adapter for SCS
NS	99A0424	1	Infrared adapter
NS	56P0161	1	RS-232-C serial/parallel 1284-C adapter
NS	99A0923	1	Parallel port + USB INA card assembly

## Assembly 34: Miscellaneous

Asm-Index	Part number	Units	Description
NS		1	Screw type 323, PP 12G6309
NS		1	Screw type 324, PP 12G6530
NS		1	Screw type 232, PP 12G6531
NS		1	Screw type 102, PP 12G6532
NS		1	Screw type 312/322/412/423, PP 12G6533
NS		1	Screw type 484, PP 12G6534
NS		1	Screw, 500-sheet tray, PP 12G6538
NS		1	Screw type 124, PP 12G6539
NS		1	Screw type 121, PP 12G6540
NS	7370235	1	Kit, relocation package assembly printer
NS	7370563	1	Kit, relocation package assembly Output Expander
NS	7370564	1	Kit, relocation package assembly 5-Bin Mailbox
NS	7370565	1	Kit, relocation package assembly 500 Drawer
NS	7370566	1	Kit, relocation package assembly Duplex
NS	7370595	1	Kit, relocation package assembly Finisher